



VPM-07-1



VPM-07-2

TECHNICAL SPECIFICATION

Model.		VPM-07-1	VPM-07-2
Power Supply		3 Phase 4 Wire 380V 50Hz	
Display		7-Segment, Size 0.39 Inch, 3Digit, 1Row	
Power Consumption		3 VA	
Input Analog	Voltage Range	300-500 VAC(3Ø)	
	Accuracy	±0.25 f.s. +1dgt	
Input Digital	Input 1	External Dry Contact	
	Input 2	External Phase Protection Dry Contact	None
Output 1	Voltage	220 VAC 5A	
	Time Delay On	0.1 - 99.9 Sec	
Output 2	Voltage	220 VAC 5A	
Output 3	Relay Output	None	250 VAC/5A, 30 VDC/5A
	Time Delay Off	None	0 - 10 Sec.
	Time Delay On	None	0 - 900 Sec.
	Over Voltage	None	400 - 500 VAC(3Ø)
	Under Voltage	None	300 - 400 VAC(3Ø)
	Phase Sequence	None	Yes
	% Unbalance	None	2 - 20%
	Hysteresis	None	1%
	Accuracy	None	±0.5 f.s. +1dgt
	Resolution	None	1V
Ambient Operation	Temperature	-10 °C to 60 °C	
	Humidity	< 85 % RH Non-Condensing	
Ambient Storage	Temperature	-20 °C to 80 °C	
	Humidity	< 85 % RH Non-Condensing	
Protection Degree		IP20	
Installation		DIN RAIL Mounting	
Material		ABS-V0	
Size (mm.)		74.6W x 89.5L x 61.5H	
Weight		215g.	

DESCRIPTION

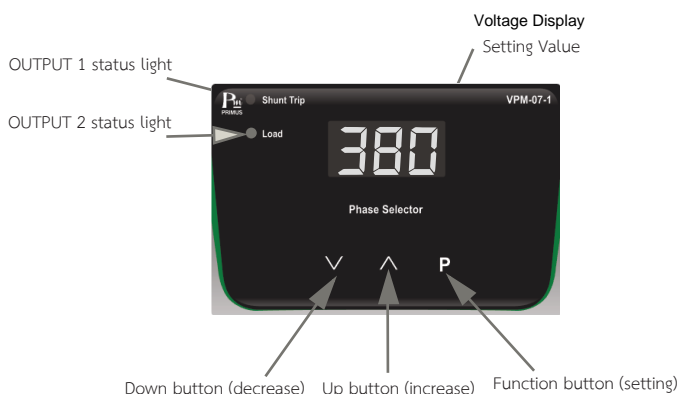
- VPM-07 is a device which supply 1 phase 220 VAC, 5A, 50 Hz receive voltage 3 phase, 380 VAC, 4 Wire.
- In case the voltage in any phase one or two phase have gone. VPM-07 will choose voltage in the rest of phases supply to system continuously at Output 2 Load.
- 2 Output for supply to Shunt TRIP and connect to other loads .
- There are 2 model VPM-07-1 is model that can connect external Phase Protection Relay And VPM-07-2 is model has Phase Protection check inside.
- Phase Protection Relay Function to protect Over-Under voltage, Unbalance Phase and Phase sequence (VPM-07-2). Operation will show on LED OUT3 and Relay Output 3.
- Show voltage electrical by Digital 3 digits.
- TRUE RMS accuracy.
- Din Rail installation.

OPERATION

VPM-07 is device supply 1 phase 220 VAC, 5A, 50 Hz receive voltage from 3 phase 380 VAC, 4 Wire by choose phase that will supply to 220 VAC from phase 1 then voltage Phase 1 has lost. It will supply Phase 2 instead and when Phase 1 voltage comeback Output 2 still use phase until Phase 2 will disappear from system. The system will use Phase 3 instead if Phase 3 has lost the system will pick Phase 1 to supply instead the system will cycle until the end.

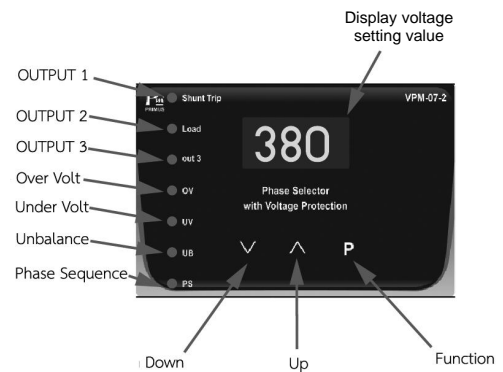
VPM-07 can supply 220VAC, 5A 50Hz 2 Output.

- Output 1 will supply power to Shunt trip when 3 phase electrical system has failure by receive signal from Input 1 External Input Trip, Input 2 Phase Production Trip and Phase Lost signal.
- Output 2 will supply power to other loads continuously by pick one of phase that has normal voltage from 3 Phase.



OPERATION

VPM-07-1 is required to connect with external phase protection relay when 3 phase system has failure, VPM-07-1 receive Dry Contact signal at Protection Input Trip will start delay time follow setting time and supply 220 VAC when it has complete by time from setting but there are signal from Dry Contact at External Input Trip VPM-07-1 will not delay and supply 220 VAC immediately even the Protection Input Trip will operate or not.



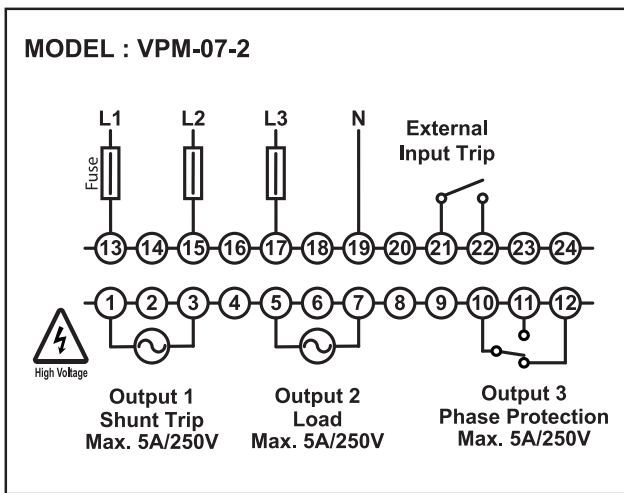
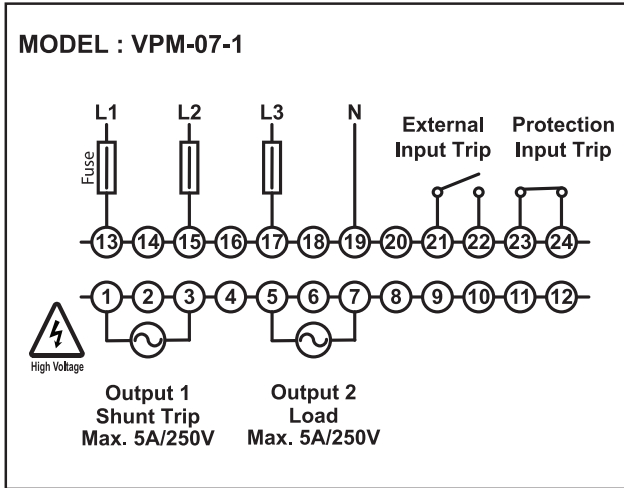
VPM-07-2 is model that has Phase Protection Relay inside device no need external Phase Protection.

It separates the operation 2 part

- Phase Protection when supply power to system. VPM-07-2 will check voltage be normal or not. Normal is the voltage do not over or under the setting value and phase unbalance value do not over than setting percentage (Range 2 - 20%) and phase sequence are correct. VPM-07 will start to delay time follow value from T-ON setting (Range 0-900 Sec) the Relay Output 3 start operate if when voltage over or under value from setting or Phase unbalance over percentage from setting (Range 2-20 %) or phase sequence do not correct. VPM-07-2 will start delay time follow T-OFF from setting (Range 0 -10 Sec) when it has complete time Relay Output 3 will stop operate.

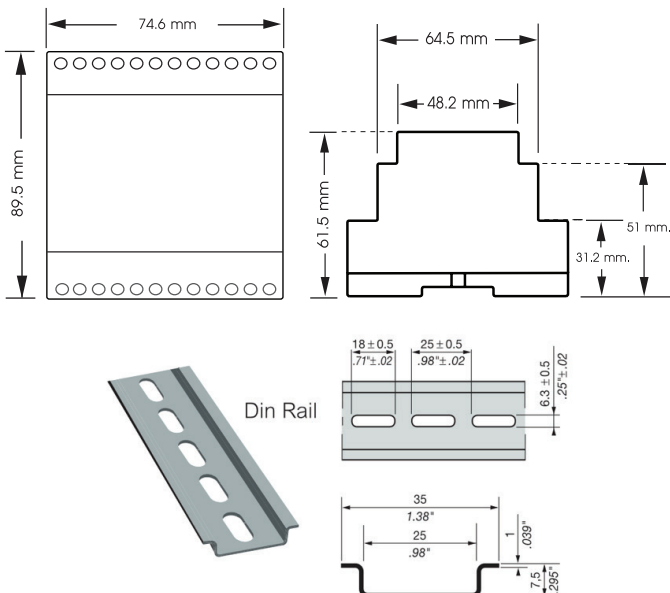
- Phase Selector when VPM-07-2 found failure to Phase system. It starts delay 0.1 - 99.9 Sec. and supply 220 VAC at Output 1 when it completes but External Input Trip receive signal Dry Contact VPM-07-2 will not delay time and supply electrical 220 VAC suddenly although it has failure to 3 Phase or not.

WIRING DIAGRAM

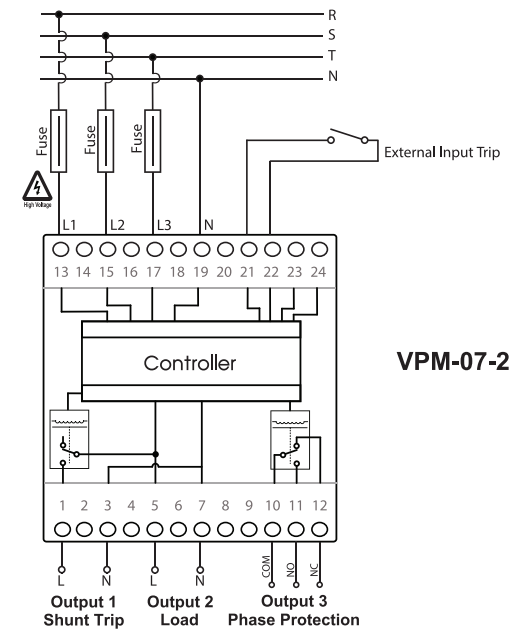
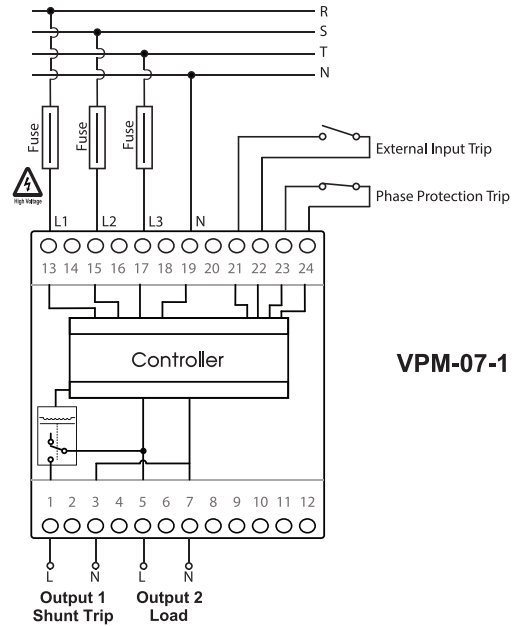


WARNING More than one power source. Relay outputs maybe at mains potential. Disconnect power from all source before install or servicing.

DIMENSION CUTTING AND INSTALLATION



WIRING DIAGRAM



ORDERING CODE

VPM - 07 -

OPTION	
1	Phase Selector External Phase Protection
2	Phase Selector Internal Phase Protection + 1 Relay