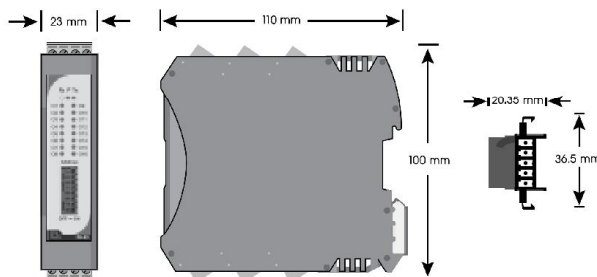




TECHNICAL SPECIFICATION

Power Supply		15-30 VDC
Power Consumption		2 VA
Display		LED
Output	Output Points	16
	Maximum Voltage	36 VDC
	Maximum Current	100 mA Per Output
	Isolation	1500 Vrms Between Field And Logic
Communication	Protocol	MODBUS RTU
	Baud Rate	2400, 4800, 9600, 19200, 38400, 57600
	Parity	None, Even, Odd
	Stop Bits	1, 2
	Data Bits	8
	Maximum Support Node	255
	Ambient Operation	Temperature
	Humidity	<85% RH Non-Condensing
Ambient Storage	Temperature	-20 °C to 80 °C
	Humidity	<85% RH Non-Condensing
Protection Degree		IP20
Installation		DIN RAIL
Enclosure		ABS-V0
Size (mm.)		23 x 110 x 100
Weight		150 g.

DIMENSION



DESCRIPTION

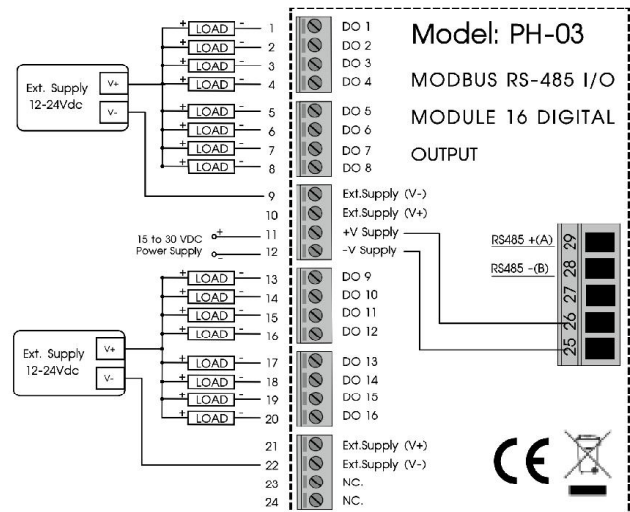
- It is used for RS-485 MODBUS PROTOCOL 16 output
- Output type NPN collection, Isolated
- Operation on RS-485 MODBUS PROTOCOL
- LEDs indicate each output status

OPERATION

The PH - 03 consist of 16 NPN Open Collector Outputs for connection to Relay or others. The PH-03 is operated by a MODBUS Master Device such as a PC or PLC to perform the desired function and relate to the Digital Input Module

The output of the PH - 03 is 16 NPN open Collector. It can be connected to different loads y input and output Data will be sent and received from MODBUS Master Device, such as PC or PLC, to function as a function relate to other I/O modules.

WIRING DIAGRAM



WARNING

- Make sure the correct wiring connection before turning on electricity. Mis-wiring may cause malfunction of the unit and fire.
- Never modify the unit to prevent damage or incident such as malfunction and fire etc.

ORDERING CODE

PH - 03