



TSM-94



TSM-94-B

DESCRIPTION

- It's a display device to show the number and alphabet from RS-485 communication
- Receive/Send data with MOD BUS RTU/ASCII
- 7-Segment and 5-ligth display, size 0.56 inches (TSM-94) and size 2.3 inches (TSM-94-B)
- There are 3 relay alarms and controlling ON/OFF by using RS-485 communication

OPERATION

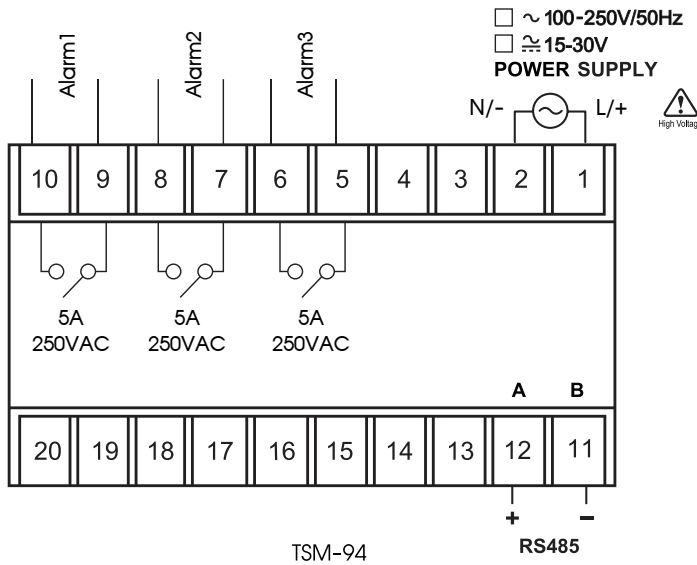
TSM-94 is a device that receives information from PC, PLC, HMI, Embedded System, etc. To display the numbers at the terminal (Terminal Station) by sending data through the communication protocol MODBUS RTU or MODBUS ASCII with RS-485 signal.

TSM-94 will operate as a slave device in the communication bus when receiving information from the master device for display. In addition, it can command three relays to ON/OFF with Function Force. Coil can set Device ID, Baud Rate, Parity and Stop Bits

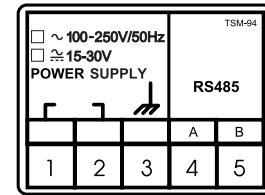
TECHNICAL SPECIFICATION

		TSM-94	TSM-94-B
Power Supply		100-250 VAC 50/60 Hz	
		15-30 VAC/VDC	
Power Consumption		3VA	
Display		7 Segment Size 0.56 Inch 5 Digit	7 Segment Size 2.3 Inch 5 Digit
		3 LED (Show Alarm Relay)	-
		1 LED (Show Communication)	-
Output		3 Alarm Relay 5A 250 VAC	3 Alarm Relay 5A 250 VAC(NO) /3A 30VDC(NC)
Communication	Protocol	MODBUS RTU / MODBUS ASCII	
	Address	1-255	
	Baud Rate	2400, 4800, 9600, 19200, 38400	
	Parity	None, Even, Old	
	Data Bits	8 Bits	
	Stop Bits	1, 2 Bits	
	Support Node	32	
Ambient Operation	Temperature	0 °C to 50 °C	
	Humidity	85 % RH Non-Condensing	
Ambient Storage	Temperature	-25 °C to 70 °C	
	Humidity	75 % RH Non-Condensing	
Protection Degree	Front Protection Rating	IP52	IP30
	Case Protection Rating	IP30	
Installation		Panel Mounting	Suspended Mounting
Material		ABS-V0	
Size (mm.)		48 x 96 x 80	300 x 200 x 100
Weight		240 g.	4 kg.

WIRING DIAGRAM



OUT 1			OUT 2			OUT 3			TSM-94B
5A 250VAC (NO)			5A 250VAC (NO)			5A 250VAC (NO)			
3A 30VDC (NC)			3A 30VDC (NC)			3A 30VDC (NC)			
NC	NO	C	NC	NO	C	NC	NO	C	
1	2	3	4	5	6	7	8	9	10



TSM-94-B

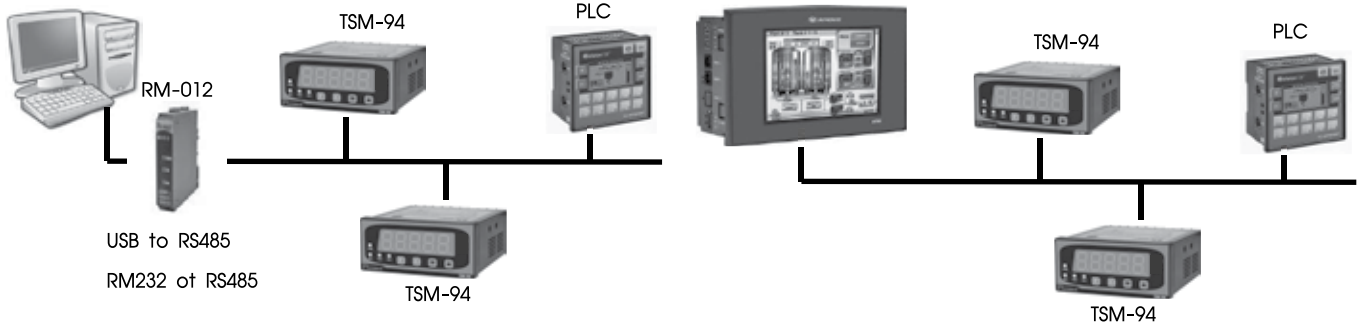
WARNING

- Make sure the correct wiring connection before turning on electricity. Mis-wiring may cause malfunction of the unit and fire.
- Never modify the unit to prevent damage or incident such as malfunction and fire etc.

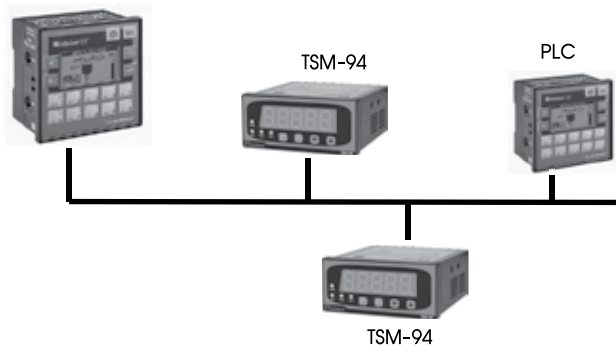
SERIAL COMMUNICATION

TSM-94 has a RS-485 communication port capable of supporting up to 32 devices. Communication is supported by MODBUS RTU and MODBUS ASCII

PC Master Device



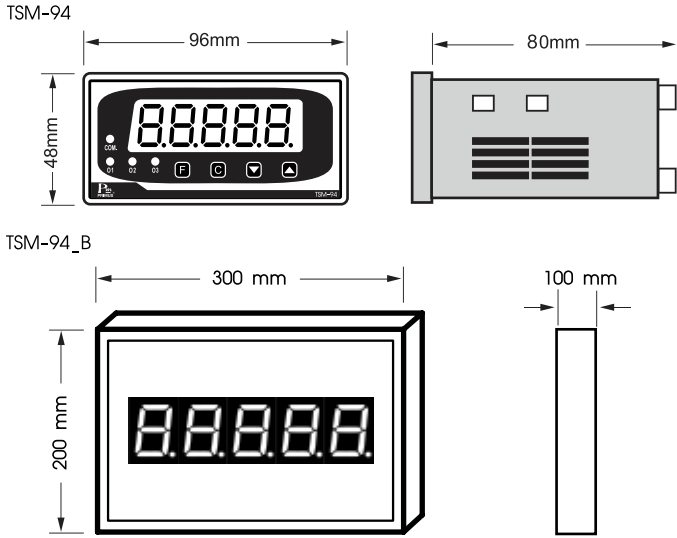
PLC Master Device



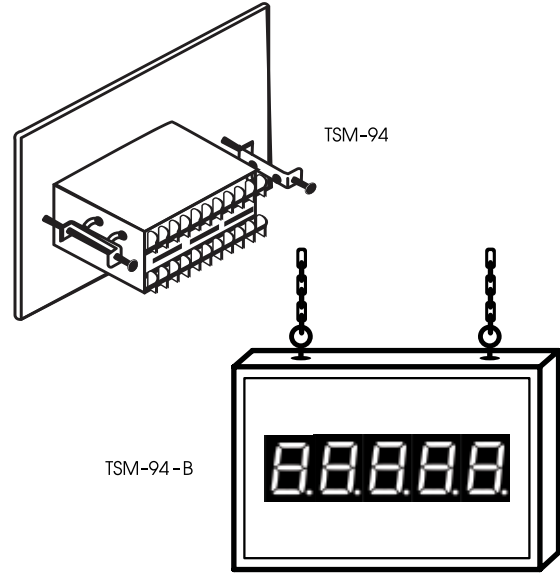
Data writing Done by writing in the position of register register Digit 1-5. The data can be seen from the Charactor data table.

- Digit 1 = 0X20 00
- Digit 2 = 0X20 00
- Digit 3 = 0X31 2E
- Digit 4 = 0X30 00
- Digit 5 = 0X35 00

DIMENSION



INSTALLATION



ORDERING CODE

TSM-94- -

SIZE	
None	48 x 96 x 80 mm.
B	300 x 200 x 100

POWER SUPPLY	
220	100 - 250 VAC/50 Hz
24	15 - 30 VAC/VDC