



TMD-48



TMD-72



TMD-94



TMD-95

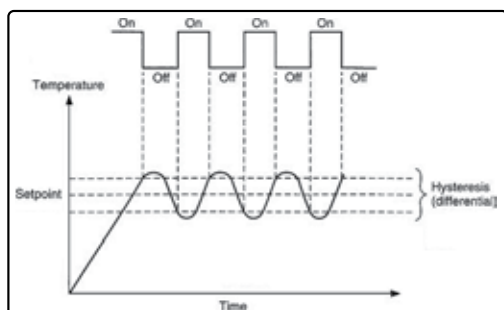


TMD-96

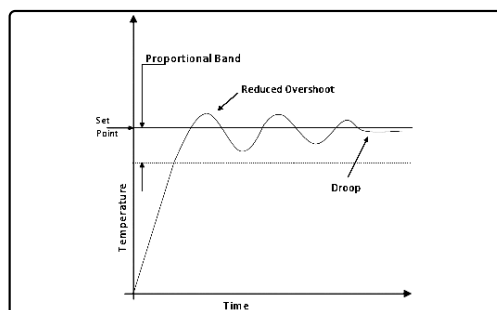
DESCRIPTION

- Alarm
- High accuracy measurement : \pm F.S 1 %
- Varioussize
- Temperaturecontrolrange 0-400 °C

OPERATION GRAPH



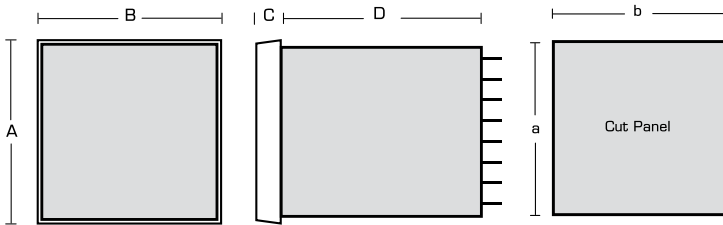
ON/OFF Control



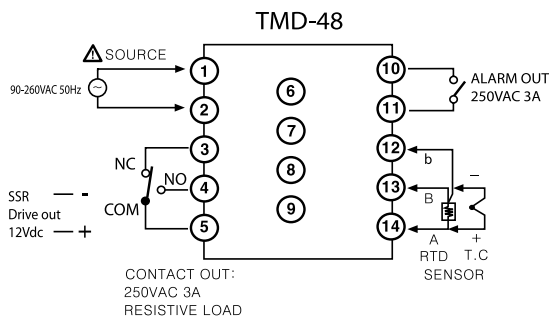
P-Control

TECHNICAL SPECIFICATION

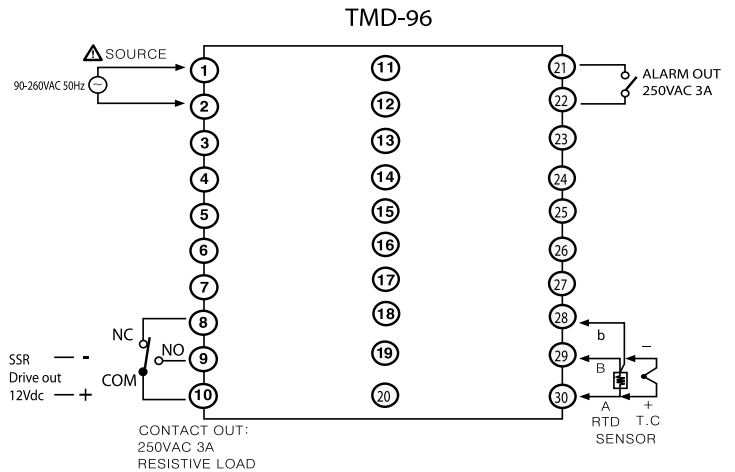
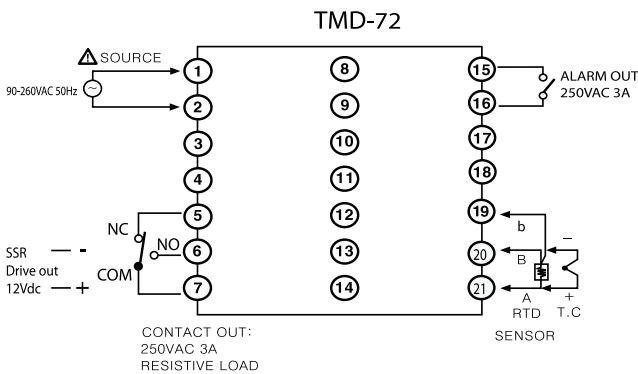
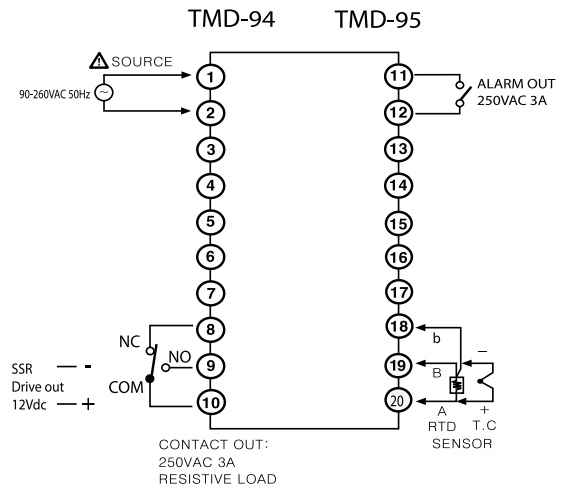
Model.		TMD-48	TMD-72	TMD-94	TMD-95	TMD-96
Power Supply		90-260VAC 50 Hz				
Power Consumption		3VA				
Display	7 Segment	7 Segment, 3 Digit, 2 Rows				
	PV Size	0.39 Inch	0.56 Inch	0.56 Inch	0.39 Inch	0.8 Inch
	SV Size	0.39 Inch	0.39 Inch	0.39 Inch	0.39 Inch	0.56 Inch
	2 LED	Green (Output) and Red (Alarm)				
Input	Input Type	Thermocouple Type K,J and RTD (PT100)				
	Range	0-400 °C				
	Accuracy	\pm 1% of Full Scale				
	Input Line Resistance	Thermocouple Max 100 Ω , RTD Max 5 Ω per wire				
Output	Proportional	Proportional Band: Variable F.S 1-10%, Period:20Sec.Fixed				
	Hysteresis	0-3% Full Scale (ON/OFF)				
	Alarm	1 Relay Alarm Contact (250VAC 3A)				
	Output	1 Relay Output (250VAC 3A)				
Ambient Operation	Temperature	-10 °C to 60 °C				
	Humidity	85 % RH Non-Condensing				
Ambient Storage	Temperature	-20 °C to 80 °C				
	Humidity	85 % RH Non-Condensing				
Protection Degree	Front Protection Rating	IP52				
	Case Protection Rating	IP30				
Installation		Panel Mounting				
Material		ABS-V0				
Size		48 x 48 x 80mm.	72 x 72 x 80mm.	96 x 48 x 80mm.	48 x 96 x 80mm.	96 x 96 x 80mm.
Weight		320g.	380g.	420g.	420g.	480g.

DIMENSION


Type	A	B	C	D	a	b
TMD-48	48	48	8	80	45	45
TMD-94	48	96	11	80	45	92
TMD-72	72	72	11	80	68	68
TMD-95	96	48	11	80	92	45
TMD-96	96	96	11	80	92	92

WIRING DIAGRAM


⚠ Please read "Caution for your safety" in operation manual before using.


ORDERING CODE

TMD - [] - [] - [] - []

SIZE	
48	48 (W) x 48 (H)
72	72 (W) x 72 (H)
94	96 (W) x 48 (H)
95	48 (W) x 96 (H)
96	96 (W) x 96 (H)

HIGH-LOW ALARM	
HH	High Alarm
HL	High+Low Alarm
LL	Low Alarm

INPUT	
0	Thermocouple Type K
1	Thermocouple Type J
2	RTD (PT100)

OUTPUT	
R	Relay Output
P	SSR (12VDC)