



TECHNICAL SPECIFICATION

Power Supply	10 -30 VDC	
Input	Input Type	RTD (PT 100)
	Range	-50 to 50 °C, -50 to 100 °C, 0 to 100 °C, 0 to 150 °C, 0 to 200 °C, 0 to 300 °C, 0 to 400 °C
	Resolution	1 °C
	Accuracy	± 1% of Measurement Range
Output	Analog	4-20mA
	Impedance	10 - 20 VDC (for load max. 200Ω) 24 VDC ±15% (for load max. 500Ω)
	Accuracy	± 1% of Output Range
Ambient Operation	Temperature	-10 °C to 60 °C
	Humidity	85 % RH Non-Condensing
Ambient Storage	Temperature	-20 °C to 80 °C
	Humidity	85 % RH Non-Condensing
Protection Degree	IP40	
Installation	Screw	
Material	ABS-V0	
Size (mm.)	Ø45 x 23 H	
Weight	28 g.	

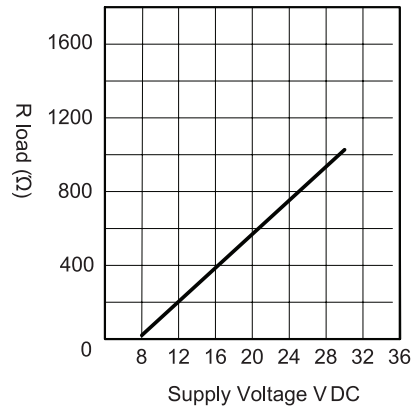
DESCRIPTION

- Convert device RTD (PT100)is standard analog signal 4-20mA
- Can connect to RTD (PT100) in 3 wire.
- Small and compact size can install in Bulb.

OPERATION

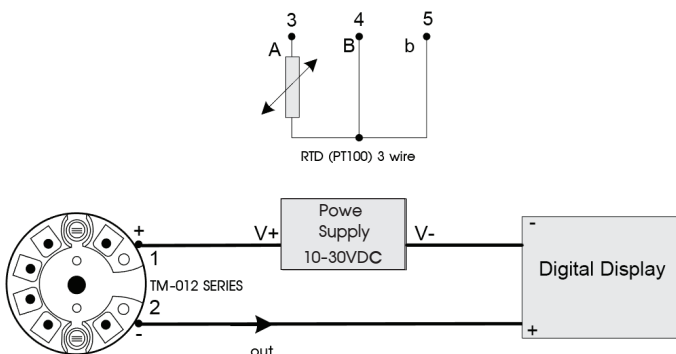
PT100 (RTD) Transmitter convert signal from PT100 (RTD) is standard analog signal 4-20mA to be Input signal to PLC, Process Controller or connecting devices. Device is suitable that require to wiring in long distance because it is Current Loop 4-20mA. Compact and small made it can put it inside Bulb. Saving installation area. This is the mix between PT100 (RTD) and transmitter together by do not separate body from Transmitter.

OUTPUT SIGNAL

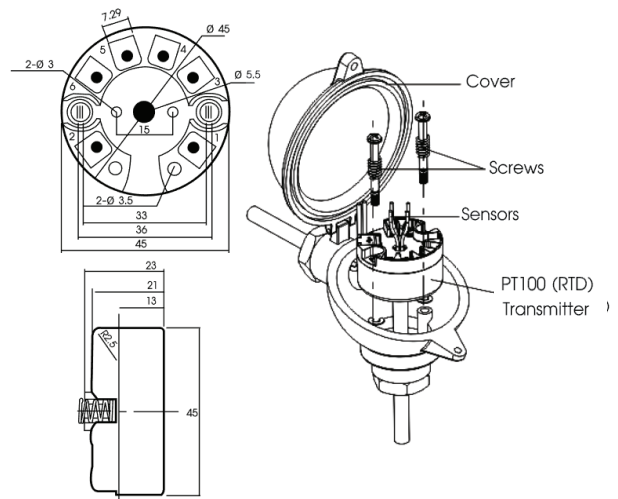


$$R_L \max = \left(\frac{(V+) - 7.5V}{20mA} \right) - R_{WIRING}$$

WIRING DIAGRAM



DIMENSION



ORDERING CODE

