



DESCRIPTION

- Machine operating status display device
- Compact size 40 mm, available in both AC and DC
- Can display up to 5 layers. 5 colors Red, Yellow, Green, Blue, White.
- LED display for long life.
- There are both continuous and flashing in the same.
- Buzzer alert at 90 dB max (at 1 M)
- Push / Pull Connection is available for both NPN / PNP, Open Collector
- RS485 MODBUS RTU PROTOCOL Communication (TL-20M and TL-2BM only)
- Anti-rust material protection IP54
- Can be 360 degree visibility
- Can be easy to separate assembly

TECHNICAL SPECIFICATION

		TL40	TL40-XXX-P0B4-XXX
Power Supply		100-240 VAC 24 VAC/VDC ±10%	
Power Consumption		0.8 VA/Light	
Color of LED Unit		Red, Yellow, Green, Blue, White	
Status Pattern (Setting)	Continue		
	Flashing and Buzzer	50 Time/Minute	
		115 Time/Minute	
Buzzer		90 dB Max (at 1M.)	
Lamp Life		100,000 Hr.	
Communication	Protocol	MODBUS RTU	
	Baud Rate	9,600	
	Parity	None	
	Stop Bit	1	
	Data Bit	8	
	Maximum Support Node	128	
Ambient Operation	Temperature	-10 °C to 60 °C	
	Humidity	85% RH Non-Condensing	
Ambient Storage	Temperature	-20 °C to 80 °C	
	Humidity	85% RH Non-Condensing	
Protection Degree		IP 54	
Installation		Bracket + Pole	Bracket (90°)
Material	Tower	ABS-V0	
	Bracket	ABS-V0 / Steel / SUS316	
	Pole	Aluminium / SUS316	
Size		40 mm.	
Weight		185 g.	

OPERATION

When installing and connecting the circuit as shown in the figure, and when the switch is ON, according to the color position of the TL40, the lamp of the position lights up according to the desired function to remind the operator of the status of the machine such as

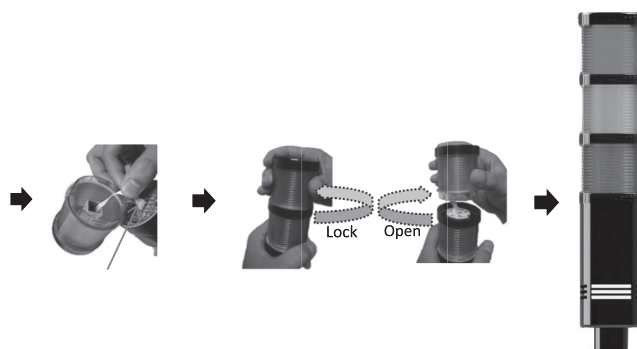
Green means machine is working.

Yellow means machine operator notice

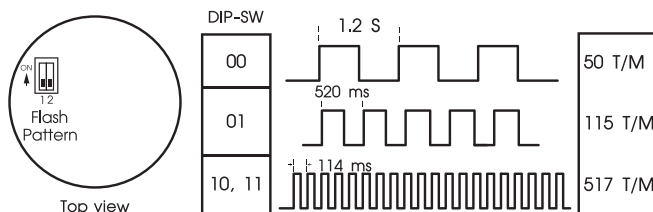
Red means the machine stops working or else

There is also a buzzer that alerts the operator if the operator is far from the machine at 90 dB max (at 1 M) or sending a computer alert via RS-485

ASSEMBLY SIGNAL TOWER LIGHT



SHOW SETTING FLASH PATTERN

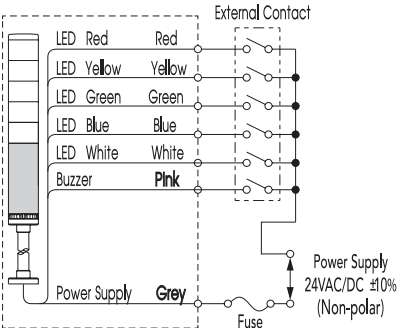


WIRING DIAGRAM

- Wiring Example (Contact Switch)

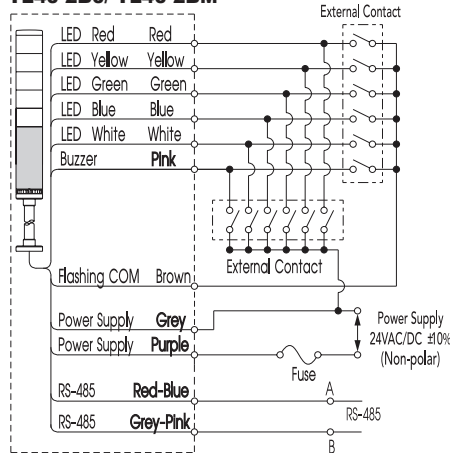
■ [Continuous Lighting]

TL40-100/ TL40-1B0



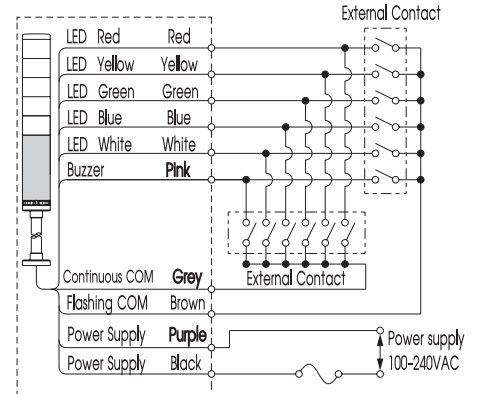
■ [Continuous Lighting, Flashing]

TL40-200/ TL40-20M/ TL40-2B0/ TL40-2BM



CAUTION Do not apply voltage to the Flashing COM (Brown) wire.

TL40-300/ TL40-3B0

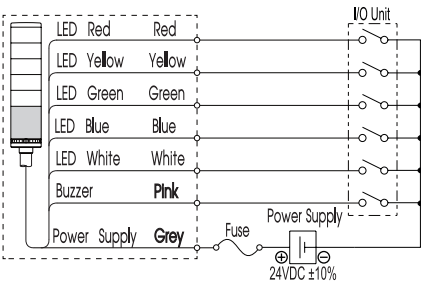


CAUTION Only apply voltage to the Power Supply Wire.

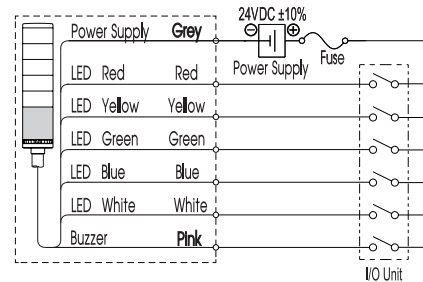
- Wiring Example (NPN/PNP Transistor Drive)

■ [Continuous Lighting]

TL40-100/ TL40-1B0 (NPN Drive)

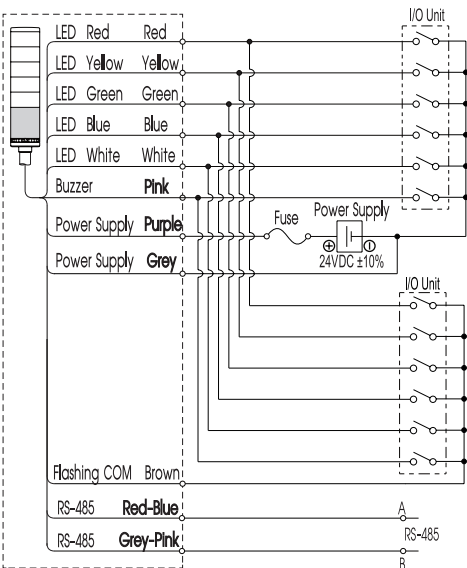


TL40-100/ TL40-1B0 (PNP Drive)



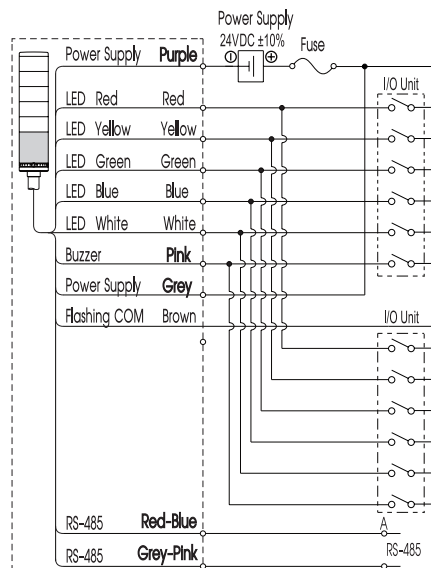
■ [Continuous Lighting, Flashing]

TL40-200/ TL40-20M/ TL40-2B0/ TL40-2BM (NPN Drive)



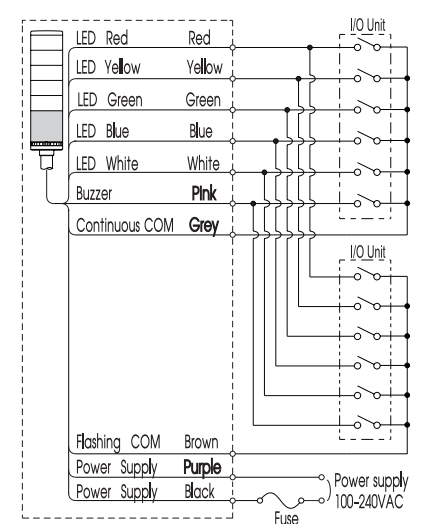
CAUTION Do not apply voltage to the Flashing COM (Brown) wire.

TL40-200/ TL40-20M/ TL40-2B0/ TL40-2BM (PNP Drive)



CAUTION Do not apply voltage to the Flashing COM (Brown) wire.

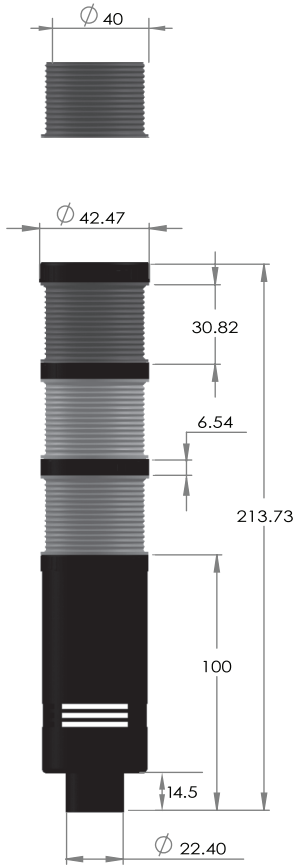
TL40-300/ TL40-3B0 (NPN Drive)



CAUTION Only apply voltage to the Power Supply Wire.

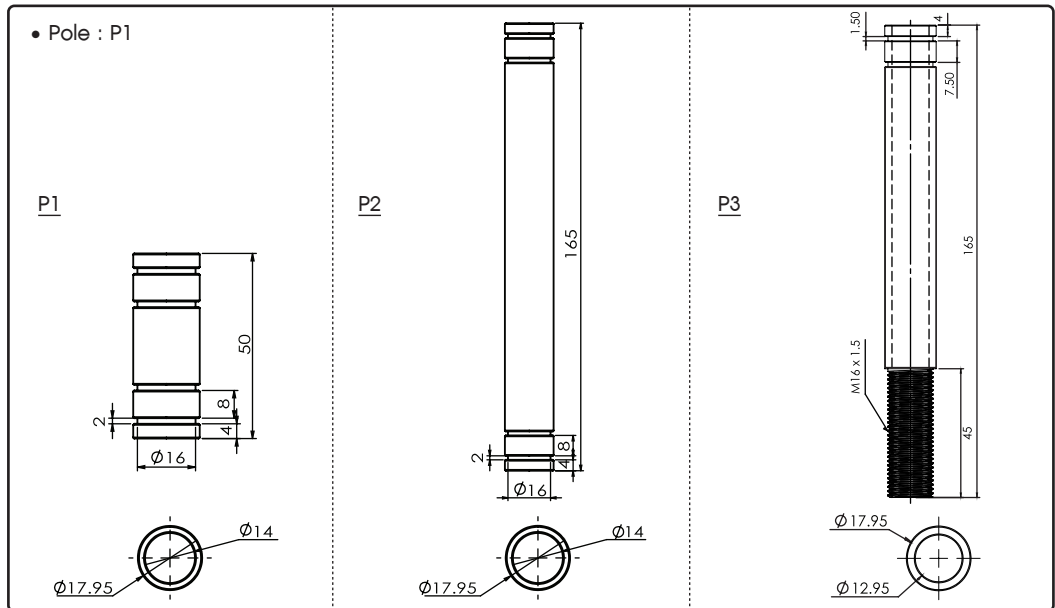
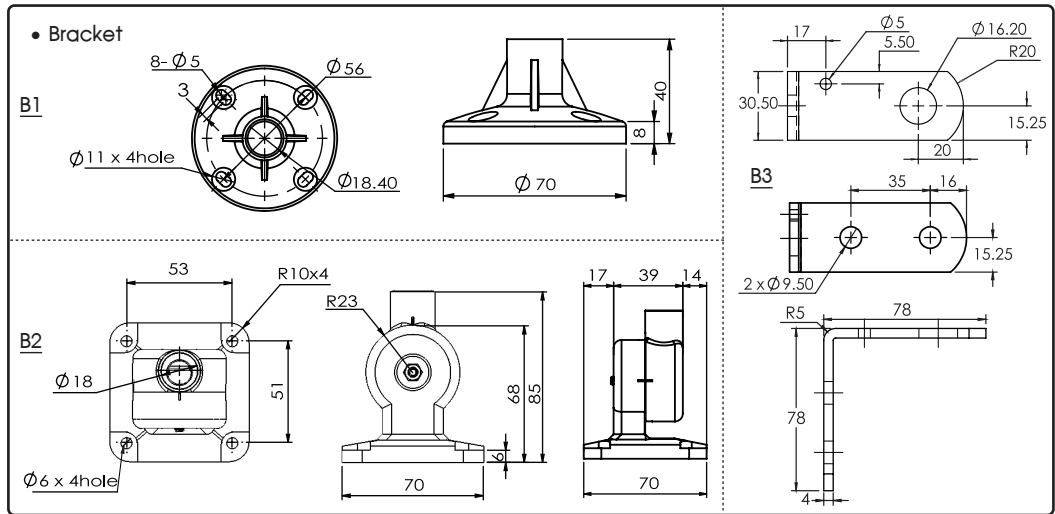
DIMENSION (A)

TL40-SERIES



Unit : mm.

ACCESSORIES



ACCESSORIES

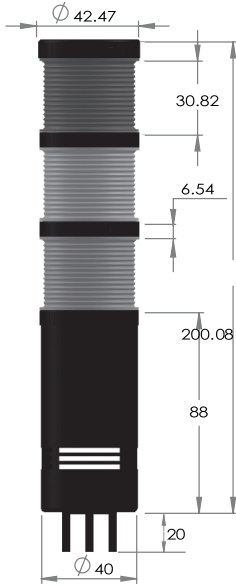
<p>• Bracket</p> <p>Material : Plastic (ABS-V0)</p> <p>B1</p>	<p>• Bracket (2 Way)</p> <p>Material : Plastic (ABS-V0)</p> <p>B2 (Adjust 2 Way)</p>	<p>• Bracket (90°)</p> <p>Material : Steel</p> <p>B3</p>	<p>• Bracket (90°)</p> <p>Material : SUS 316</p> <p>BS</p>	<p>• Pole</p> <p>Material : Aluminum</p> <p>P1</p>	<p>• Pole (Long)</p> <p>Material : Aluminum</p> <p>P2</p>
--	---	---	---	---	--

<p>• Pole (Thread)</p> <p>Material : Aluminum</p> <p>P3</p>	<p>• Pole (Long)</p> <p>Material : SUS 316</p> <p>PS</p>
--	---

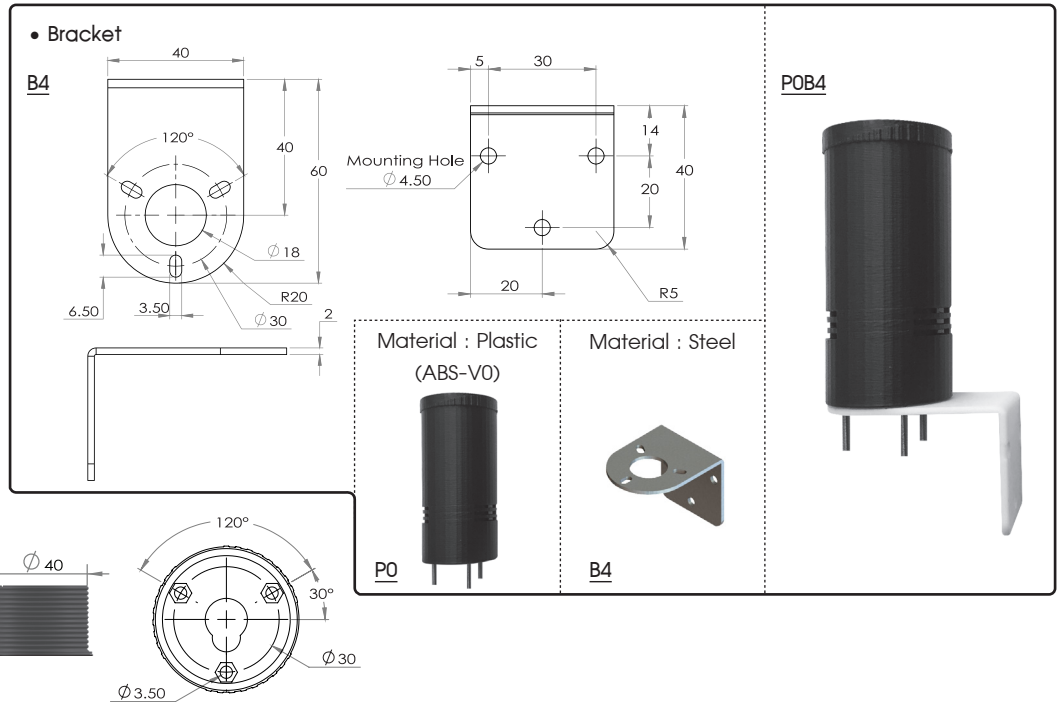
• Assembly example
Bracket with pole
Together

DIMENSION (B)

TL40-X X X-POB4-X X X X X



ACCESSORIES



ORDERING CODE

TL40 - [] - [] - []

POWER SUPPLY & OPTION ACCESSORIES COLOR

COLOR		***Select max.5 Tier., 5 Color
G	Green	
Y	Yellow	
R	Red	
B	Blue	
W	White	

POWER SUPPLY & OPTION	
100	24 VAC/VDC ± 10% (Status Pattern Continuous)
200	24 VAC/VDC ± 10% (Status Pattern Continuous/ Flashing)
300	100-240 VAC (Status Pattern Continuous/ Flashing)
1B0	24 VAC/VDC ± 10% (Status Pattern Continuous) + Buzzer
2B0	24 VAC/VDC ± 10% (Status Pattern Continuous/ Flashing) + Buzzer
3B0	100-240 VAC (Status Pattern Continuous/ Flashing) + Buzzer
20M	24 VAC/VDC ± 10% (Status Pattern Continuous/ Flashing) + RS-485
2BM	24 VAC/VDC ± 10% (Status Pattern Continuous/ Flashing) + Buzzer + RS-485

ACCESSORIES (Installation)		
P1B1	Pole + Bracket	***For Dimension (A)
P1B2	Pole + Bracket (2 Way)	
P2B1	Pole (Long) + Bracket	
P2B2	Pole (Long) + Bracket (2 Way)	
P3B3	Pole (Thread) + Bracket (90°)	
PSBS	Pole (Long) + Bracket (90°)	***For Dimension (B)
POB4	None Pole, Bracket (90°)	

ORDERING EXAMPLE

