

DESCRIPTION

- RP-XXW is a compact relay module that consists of relays many are in the same set.
- Receive 24 VAC/DC input voltage types NPN and PNP
- DPDT 250 VAC, 5A output relay
- 1 relay module is available to select the number of relays from 2, 4, 8, 12 and 16 relays.
- Convenient to wiring cables and repairing maintenance
- Save space for installation in the cabinet, MDB
- There is an LED showing the operating status of each relay.
- DIN RAIL installation

OPERATION

RP-XXWA is a Slim Relay Module that consists of multiple relays. From 2, 4, 6, 8, 12 and 16 relays are in the same set. Slim, compact structure thus saving installation space The installation style is DIN RAIL, suitable for installation in electrical cabinets, MDB.

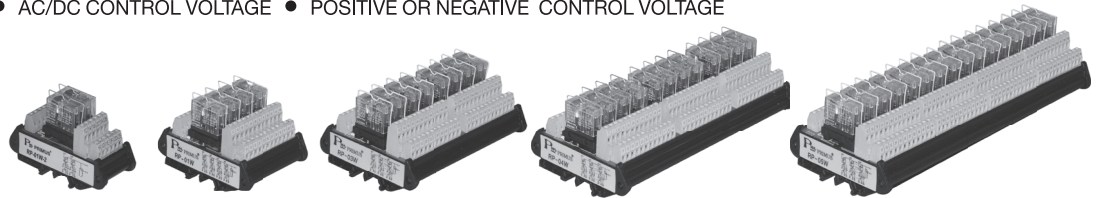
RP-XXWA can be connected to the output of the PLC or other devices. That is both PNP and NPN to use contact relays to use. There is a LED showing the status of the relay. There is a terminal to wiring 2.5 mm lower cable makes it easy to wiring wires and easy maintenance. The system can withstand temperatures of -10 to 50 °C. Power supply can be supplied in both 24 VAC/DC. It can be used with transformers without using Switching Power Supply.

TECHNICAL SPECIFICATION



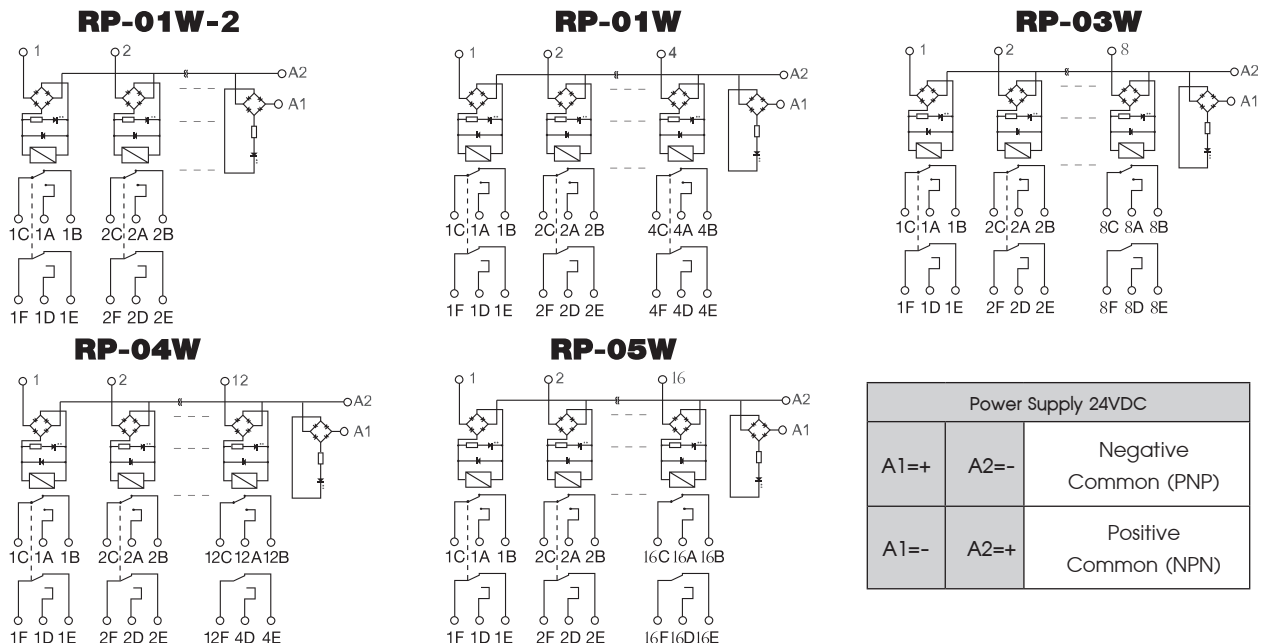
- AC/DC CONTROL VOLTAGE
- POSITIVE OR NEGATIVE CONTROL VOLTAGE

RP-XXW
DPDT RELAY MODULE



MODEL	RP-01W-2	RP-01W	RP-03W	RP-04W	RP-05W
Rate input voltage	24 VAC/DC ±10%	24 VAC/DC ±10%	24 VAC/DC ±10%	24 VAC/DC ±10%	24 VAC/DC ±10%
Rate input current	25 mA ±10%	25 mA ±10%	25 mA ±10%	25 mA ±10%	25 mA ±10%
Turn on time	15 ms	15 ms	15 ms	15 ms	15 ms
Turn off time	5 ms	5 ms	5 ms	5 ms	5 ms
Type and number of contact	DPDT x 2 relays	DPDT x 4 relays	DPDT x 8 relays	DPDT x 12 relays	DPDT x 16 relays
Rate output voltage	250 VAC	250 VAC	250 VAC	250 VAC	250 VAC
Rate output current	5 A	5 A	5 A	5 A	5 A
Current breaking power	5 A	5 A	5 A	5 A	5 A
Terminals / Connectors	Terminal blocks 2.5 mm ²	Terminal blocks 2.5 mm ²	Terminal blocks 2.5 mm ²	Terminal blocks 2.5 mm ²	Terminal blocks 2.5 mm ²
Operating temperature	-10 to 50°C	-10 to 50°C	-10 to 50°C	-10 to 50°C	-10 to 50°C
Coil / contact isolation	5 k VAC / 60 s	5 k VAC / 60 s	5 k VAC / 60 s	5 k VAC / 60 s	5 k VAC / 60 s
Status display	LED	LED	LED	LED	LED
Approximative weight	200 g	300 g	430 g	650 g	850 g
Relay module dimension	98(W)x40(L)x74(H) mm.	98(W)x72(L)x74(H) mm.	98(W)x139(L)x74(H) mm.	98(W)x208(L)x74(H) mm.	98(W)x276(L)x74(H) mm.

WIRING DIAGRAM



Power Supply 24VDC		
A1=+	A2=-	Negative Common (PNP)
A1=-	A2=+	Positive Common (NPN)