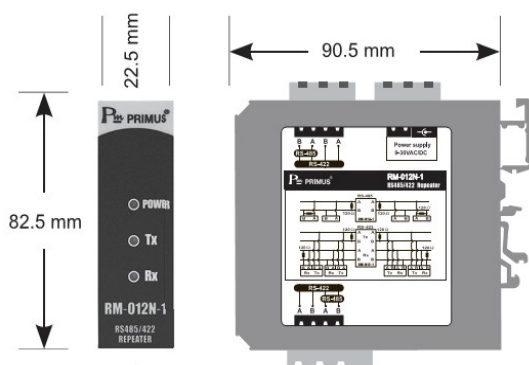




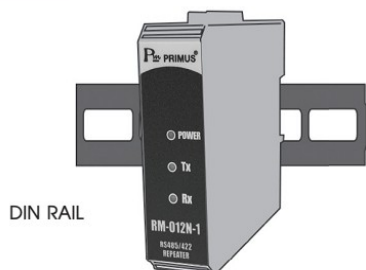
**TECHNICAL SPECIFICATION**

Power Supply	9-30VDC (Free Adaptor)	
Display	LED (RS-485)	
	LED (Tx)	
	LED (Rx)	
Signalize	Max 1.2 km	
Communication	Max Baud Rate	57.6 kbps
Ambient Operation	Temperature	-10 °C to 50 °C
	Humidity	85 % RH Non-Condensing
Ambient Storage	Temperature	-10 °C to 50 °C
	Humidity	85 % RH Non-Condensing
Protection Degree	Front Protection Rating	IP52
Installation	DIN RAIL	
Material	ABS-V0	
Size (mm.)	82.5 x 22.5 x 90.5	
Weight	100g.	

**DIMENSION**



**INSTALLATION**



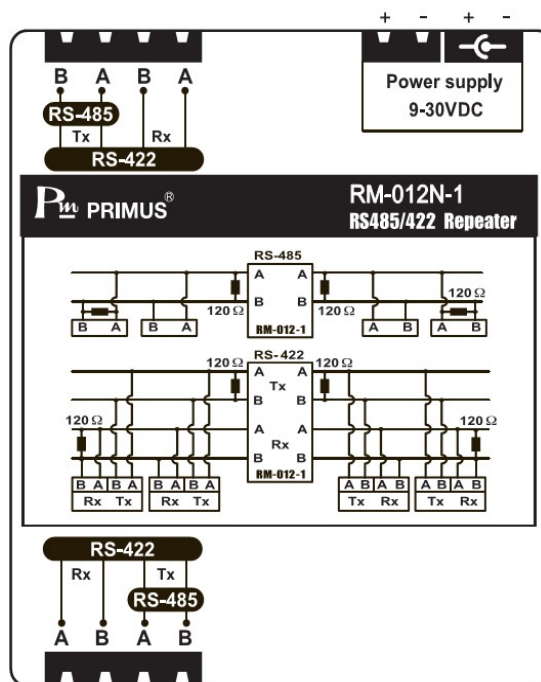
**DESCRIPTION**

- Signal amplification equipment to increase the transmission distance RS-422 / RS-485, far more than the previous one
- Can be used with RM-012N-D and RM-012N-E
- Communication rate of Auto Baud Rate Max. 57.6 kbps
- LED display of RS-485, Tx, Rx
- There is a 9 VDC adapter to supply power supply voltage to RM-012N-1.

**OPERATION**

RM-012N-1 is a device for amplifying the signal to increase the transmission distance. RS-422 / RS-485 Can be used with RM-012N-D (USB to RS-422 / RS-485 Converter) and RM-012N-E (RS-232 to RS-422 / RS-485 Converter) in case Such Converter devices cannot transmit signals.

**WIRING DIAGRAM**



- Make sure the correct wiring connection before turning on electricity. Mis-wiring may cause malfunction of the unit and fire.
- Never modify the unit to prevent damage or incident such as malfunction and fire etc.

**ORDERING CODE**

