



TECHNICAL SPECIFICATION

Power Supply	9-30 VDC or VAC, 180 mA @ 12 VDC	
Power consumption	1.8 VA	
Display	1 LED (Show Status Power Supply)	
	1 LED (Show Status Tx)	
	1 LED (Show Status Rx)	
	RJ-45, 10/100 Base-T Haft/Full Duplex	
Protection Port Ethernet	Ethernet Port 1.5 KV	
Serial Port	RM-012-IP-232	
	RM-012-IP-485	
	RM-012-IP-232-485	
	RM-012-IP-485-485	
Communication	Protocol	TCP/IP (Configuration Parameter)
	Communication mode	TCP Socket, MODBUS
	Address	1 - 128
	Baud rate	2400, 4800, 9600, 19200, 38400, 57600 bps
	Parity	None, Even, Odd
	Data Bits	8 bits
	Stop Bits	1, 2
	Support device node	32
Ambient operation	Temperature	-10 °C to 60 °C
	Humidity	85 % RH Non-Condensing
Ambient storage	Temperature	-20 °C to 80 °C
	Humidity	85 % RH Non-Condensing
Protection degree	IP20	
Installation	Panel, Mounting	
Material	IP20 IEC 529, EN60529	
Size	22.5 x 82.5 x 90.5 mm.	
Weight	100 g.	

DESCRIPTION

- Converter device from TCP/IP to RS485/RS232
- Can set the device through the general browser page without installing the program
- There is a LED Showing Status the working status
 - Power : LED ON when supplying power supply voltage 9 VDC
 - Tx : LED ON when sending signals
 - Rx : LED ON when receiving signals
- There is a 9 VDC Adapter to supply power voltage to RM-012-IP-10/100
- Able to communicate with protocols: Tcp socket modbus Tcp
- Communication rate : 2400, 4800, 9600, 19200, 38400 and 57600 bps.

OPERATION

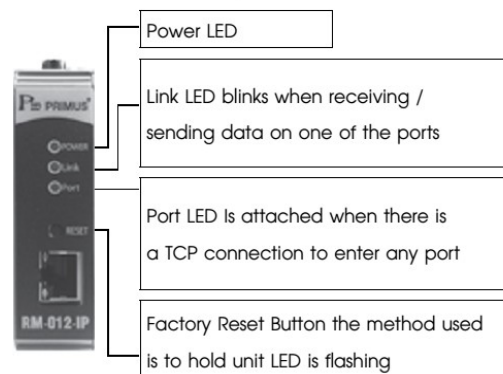
RM-012-IP-10/100 equipment for connecting to various industrial devices that support RS-485 or RS-232, such as PLC, CNC, Weighing Scale, Scanner, etc., allowing direct communication on TCP/IP networks.

Device settings RM-012-IP-10/100 Can be set up via a web browser page such as Internet Explorer without the need to install the program

RM-012-IP-10/100 Series is divided into 4 models, namely

- RM-012-10/100-232
- RM-012-10/100-485
- RM-012-10/100-232-485
- RM-012-10/100-485-485

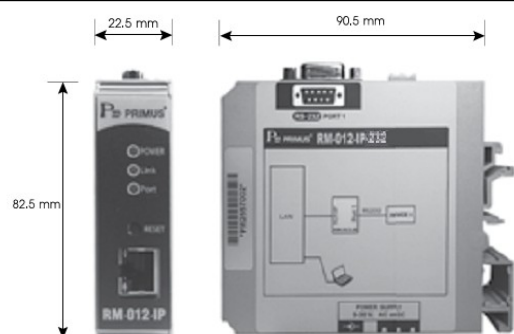
DISPLAY INDICATOR



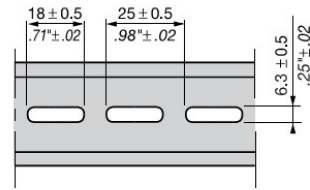
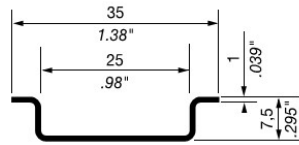
WARNING

- Make sure the correct wiring connection before turning on electricity. Mis-wiring may cause malfunction of the unit and fire.
- Never modify the unit to prevent damage or incident such as malfunction and fire etc.

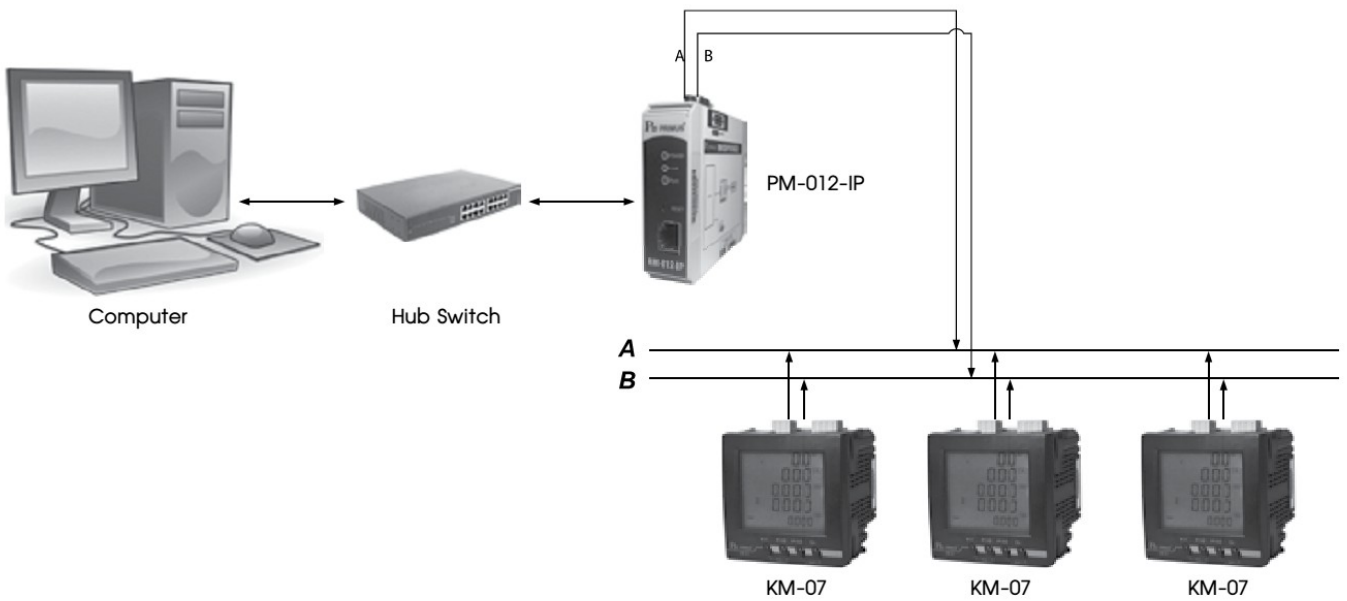
DIMENSION



INSTALLATION



OPERATION RM-012-IP-10/100



ORDERING CODE

