


DESCRIPTION

- Temperature and Relative humidity equipment together and convert the temperature and relative humidity signals into standard electrical signals (Output)
 - DC Current 4 - 20 mA
 - DC Voltage 0 - 10 VDC
 - RS-485 (Modbus RTU Protocol) Baud rate 2,400, 4,800, 9,600, 19,200, 38,400
- Temperature measurement range 0 - 100 C
- Relative humidity measurement range 0 - 100% RH
- Long axis 2 sizes structure (Probe axis made from stainless)
 - Long axis 300 mm
 - Long axis 500 mm
- Suitable for installation temperature and relative humidity inside the oven up to 100 °C, disinfection tanks, dehumidifiers, etc. By inserting the hole into the cabinet, the skull is located outside the cabinet, which has an internal electronic circuit. It can be used with a thermostatic oven
- There is a probe tip on the silicon carbonate filter to protect the dust and mounting flange for mounting

TECHNICAL SPECIFICATION

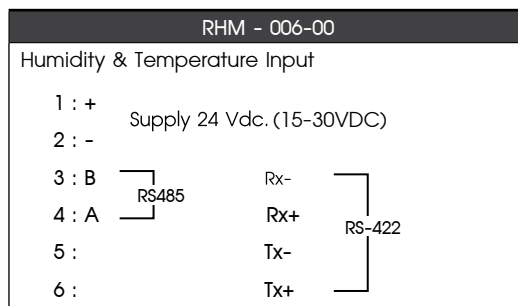
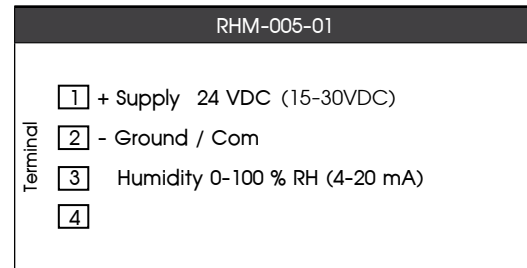
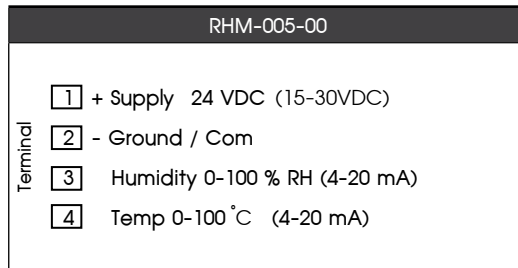
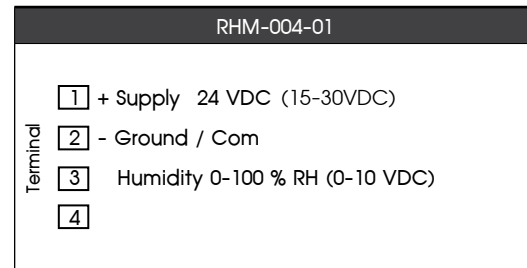
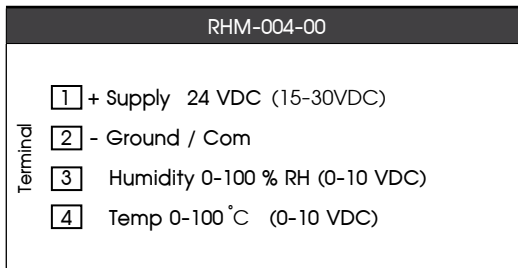
Model.		RHM-004-00	RHM-004-01
Power Supply		24VDC (15-30VDC)	24VDC (15-30VDC)
Power Consumption		<1VA	<1VA
Input	Input Type	Humidity 0-100%	Humidity 0-100%
		Temperature 0-100 °C	-
	Accuracy Humidity	< ± 3% RH (0 to 80% RH)	< ± 3% RH (0 to 80% RH)
	Accuracy Temperature	± 1 °C (0 to 60 °C)	-
	Stability-RH Sensor	± 1% RH/Year	± 1% RH/Year
Response Time-RH Sensor	<60 Sec Typical Without Filter	<60 Sec Typical Without Filter	
Output	DC Voltage	Humidity 0-10VDC	Humidity 0-10VDC
		Temperature 0-10VDC	-
Ambient operation	Temperature	-10 °C to 60 °C	-10 °C to 60 °C
	Humidity	85 % RH Non-Condensing	85 % RH Non-Condensing
Ambient storage	Temperature	-20 °C to 80 °C	-20 °C to 80 °C
	Humidity	85 % RH Non-Condensing	85 % RH Non-Condensing
Protection Degree		IP65	IP65
Installation		Screw	Screw
Material	Housing	Aluminium and Stainless	Aluminium and Stainless
	Filter Head	Metal Sintered(150 °C)	Metal Sintered(150 °C)
Size		Core 300xØ19 mm.	Core 300xØ19 mm.
Weigth		750 g.	750 g.

TECHNICAL SPECIFICATION

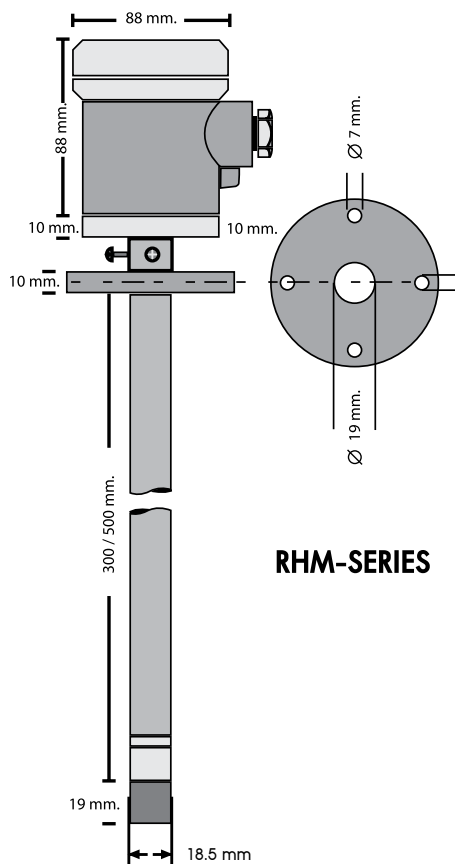
Model.		RHM-005-00	RHM-005-01
Power Supply		24VDC (15-30VDC)	24VDC (15-30VDC)
Power Consumption		<1VA	<1VA
Input	Input Type	Humidity 0-100%	Humidity 0-100%
		Temperature 0-100 °C	-
	Accuracy Humidity	< ± 3% RH (0 to 80% RH)	< ± 3% RH (0 to 80% RH)
	Accuracy Temperature	± 1 °C (0 to 60 °C)	-
	Stability-RH Sensor	± 1% RH/Year	± 1% RH/Year
Response Time-RH Sensor		<60 Sec Typical Without Filter	<60 Sec Typical Without Filter
Output	DC Current	Humidity 4-20mA	Humidity 4-20mA
		Temperature 4-20mA	-
Ambient operation	Temperature	-10 °C to 60 °C	-10 °C to 60 °C
	Humidity	85 % RH Non-Condensing	85 % RH Non-Condensing
Ambient storage	Temperature	-20 °C to 80 °C	-20 °C to 80 °C
	Humidity	85 % RH Non-Condensing	85 % RH Non-Condensing
Protection Degree		IP65	IP65
Installation		Screw	Screw
Material	Housing	Aluminium and Stainless	Aluminium and Stainless
	Filter Head	Metal Sintered(150 °C)	Metal Sintered(150 °C)
Size		Core 300 x Ø19 mm.	Core 300 x Ø19 mm.
Weigth		750 g.	750 g.

Model.		RHM-006-00
Power Supply		24VDC (15-30VDC)
Power Consumption		<1VA
Input	Input Type	Humidity 0-100%
		Temperature 0-100 °C
	Accuracy Humidity	< ± 3% RH (0 to 80% RH)
	Accuracy Temperature	± 1 °C (0 to 60 °C)
	Stability-RH Sensor	± 1% RH/Year
Response Time-RH Sensor		<60 Sec Typical Without Filter
Output	Protocol	RS485 (MODBUS RTU PROTOCOL)
	Baud Rate	2400, 4800, 9600, 19200, 38400 bps
Ambient operation	Temperature	-10 °C to 60 °C
	Humidity	85 % RH Non-Condensing
Ambient storage	Temperature	-20 °C to 80 °C
	Humidity	85 % RH Non-Condensing
Protection Degree		IP65
Installation		Screw
Material	Housing	Aluminium and Stainless
	Filter Head	Metal Sintered(150 °C)
Size		Core 300 x Ø19 mm.
Weigth		750 g.

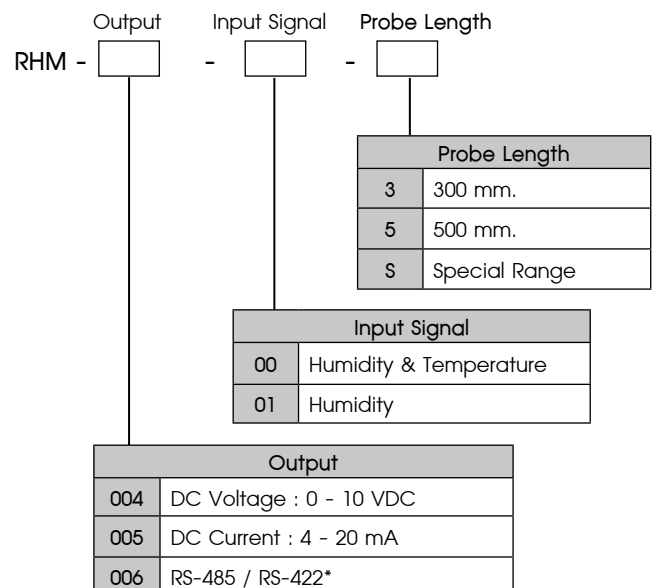
WIRING DIAGRAM



DIMENSION



ORDERING CODE



*Select Input 00 Only