

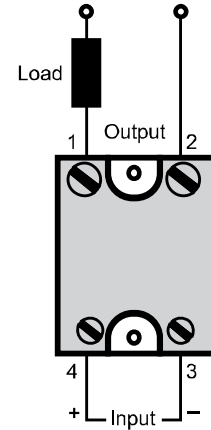
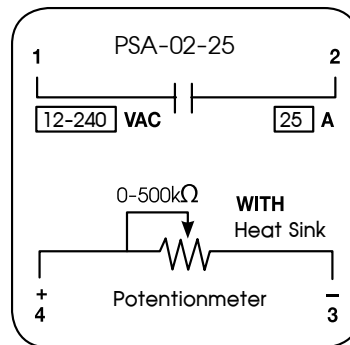
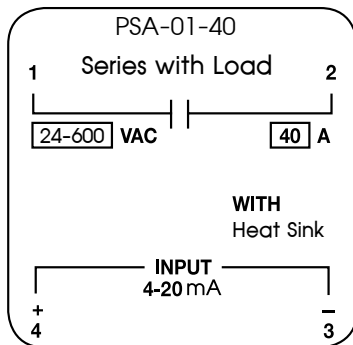
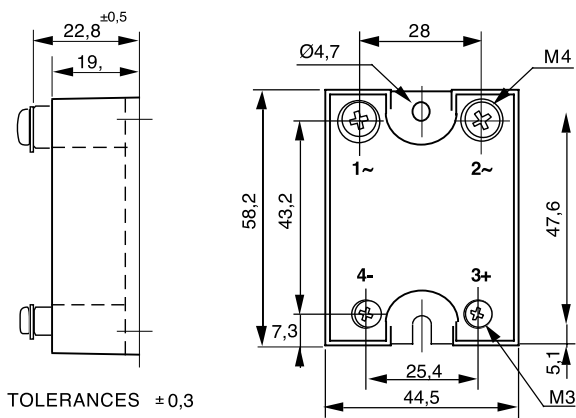
DESCRIPTION

PSA-SERIES is a solid state relay. The Phase Angle Control, which controls the phase angle in the Sine Wave signal, changes the input power of the input signal. Suitable for applications requiring control resolution such as lamp brightness or heater heat. For speed control, the PSA-02-25 can be connected to a volume POT. Due to continuous operation and high currents, PSA- SERIES will need to be installed with Heat Sink to keep cool

TECHNICAL SPECIFICATION



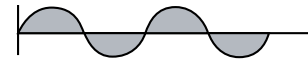
Model	PSA-01-40		PSA-02-25	PSA-A1
TYPE	Phase Angle Control			Amplifier
Power Supply	-		-	220VAC
Input	Show	LED (Red Show Input Control)		
	Type	Control Current 4-20mA	Resistance 0-500kΩ	Current 4-20mA
	Input Impedance	0.25kΩ	0.50kΩ	0.25kΩ
Output	Switching Voltage	24 to 600 VAC	12-240VAC	-
	Peak Voltage	800VAC	400VAC	-
	Switching Current	40A	25A	4-20mA (Max 3 Output)
	Frequency	Operating Frequency Range 47 to 100 Hz		
Ambient Operation	Temperature	-10 °C to 60 °C		
	Humidity	85 % RH Non-Condensing		
Ambient Storage	Temperature	-20 °C to 80 °C		
	Humidity	85 % RH Non-Condensing		
Protection Degree	IP40			
Installation	Screw with Heat Sink	Screw with Heat Sink	DIN RAIL Mounting	
Material	ABS-V0			
Size	44.5 x 58.2 x 22.8mm.	44.5 x 58.2 x 22.8mm.	36 x 90 x 58mm.	
Weight	90 g.	90 g.	160 g.	

WIRING DIAGRAM

DIMENSION


TOLERANCES ±0,3

OUTPUT SIGNAL
PSA-01-40

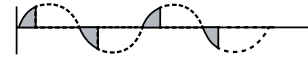
Input 100% (20 mA)



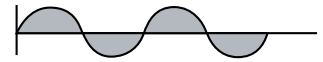
Input 50% (12 mA)



Input 25% (8 mA)


PSA-02-25

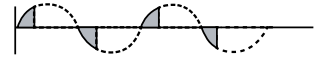
Input 100% (500 kΩ)



Input 50% (250 kΩ)



Input 25% (125 kΩ)


ACCESSORIES
PSA-A1


Amplifier for PSA-01-40 model receive 4-20 mA input signal (1 input) Compatible to connect with maximum 3 units PSA-01-40

