



PMV115N



PMV205N

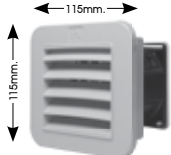

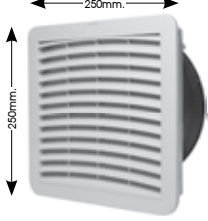
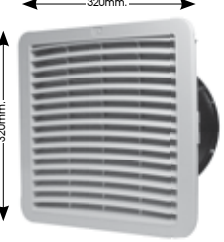


PMV250N



PMV320N

TECHNICAL SPECIFICATION

Model	Rated Operating Voltage V, Hz (VAC/Hz)	Power Consumption (W/A)	Operation Temperature	Sound Level (dB)	Air Flow (CFM)	Air Flow (m <sup>3</sup> /h)
●PMV115N (Size 3")  110/220VAC Use FP-108-A	● 110VAC/50Hz	13/0.14	-10 to 60 °C	30	18	31
	● 220VAC/50Hz	13/0.10	-10 to 60 °C	30	18	31
●PMV205N (Size 4")  110VAC Use RAH1238B2-C 220VAC Use RAH1238B1-C	● 110VAC/50Hz	22/0.18	-10 to 60 °C	43	77	130
	● 220VAC/50Hz	21/0.11	-10 to 60 °C	43	77	130
●PMV250N (Size 8")  Use RAH2260B1-C	● 220VAC/50Hz	50/0.25	-10 to 60 °C	59	300	511
●PMV320N (Size 10")  Use RAH2589B1-C1	● 220VAC/50Hz	87/0.4	-10 to 60 °C	80	545	927

**DESCRIPTION**

- Cooling fan for electric cabinet with filter to filter dust into electrical cabinet, control cabinet.
- Wind power at 31-927 m3/h with several sizes
- Time saving with Clips Lock and maintenance with design flap - Open Fan for Pulling Mask Easy to replace dust filter.
- The shape is designed to be beautiful and thin, the installation is smooth to the surface of the cabinet.
- Both air in lot and wind out 2 type of filter fans : blow in, blow out
- IP 55 standard

**OPERATION**

Cabinet Filter Fan is a cooling fan for electric cabinets, cabinets, refrigerators. Both models are air Inlot and wind out by being designed to be beautifully shaped and thin. The installation is smooth with the surface of the cabinet

(Example A)

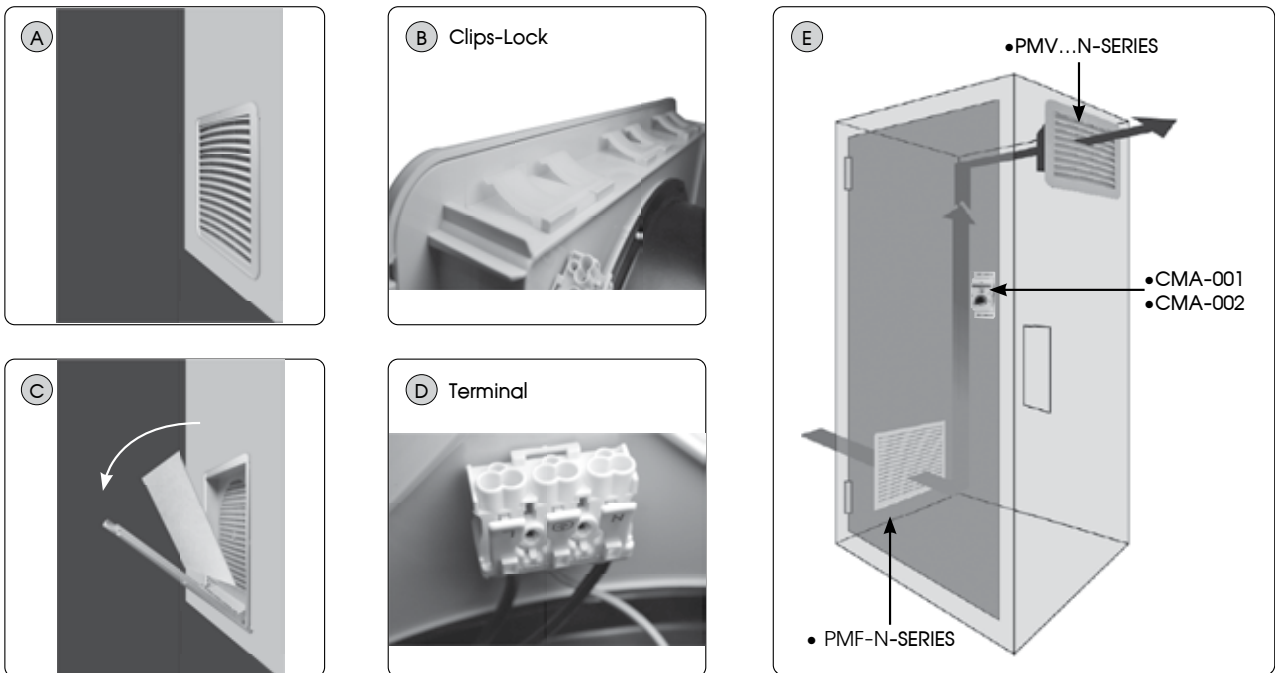
And in the installation. Easy to install, fast and strong with Clips - Lock with proper design. Use flexible plastic material. Do not use the same with the case of the fan, which is hard not suitable for adhesion. Fan does not vibrate at work

(Example B)

To change the dust filter. It's easy. With the design of Flap - Open by simply pulling out the mask to replace the dust filter. And push the mask back original

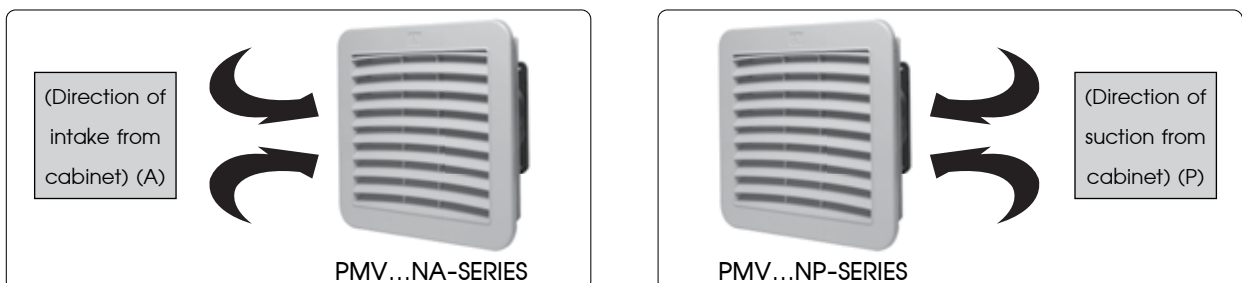
(Example c)

Fittings spring Terminals make the cable wiring easy and fast - (Example D) Typically, the heat transfer characteristics. Hot air will float from bottom to top. Fan Cabinet Filter Fan should be installed at the top of the cabinet. There is a mask with a dust filter attached to the bottom to allow air from the outside into the cabinet (Example E)



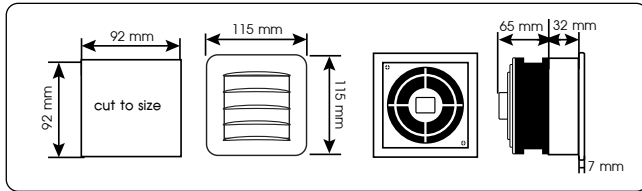
There are also accessories. Thermostat Analog CMA - 001 and Digital Model CMA- 002 for the fan to extend the life. By ordering the fan to work only at high temperatures

**THE WIND'S DIRECTION**

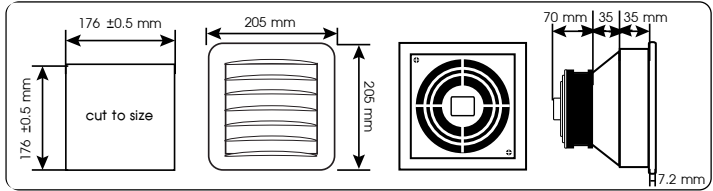


**DIMENSION**

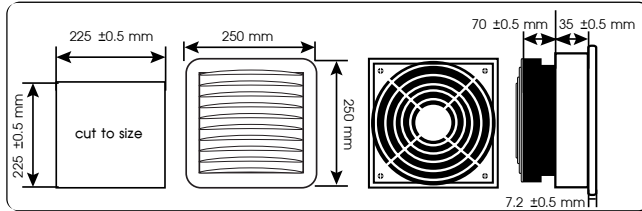
PMV115N



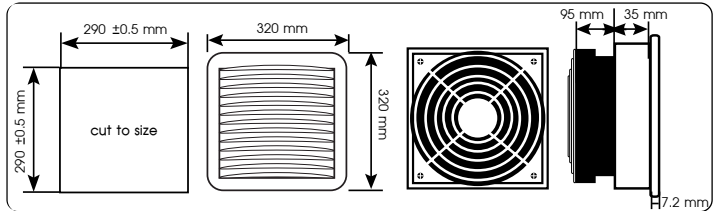
PMV205N



PMV250N



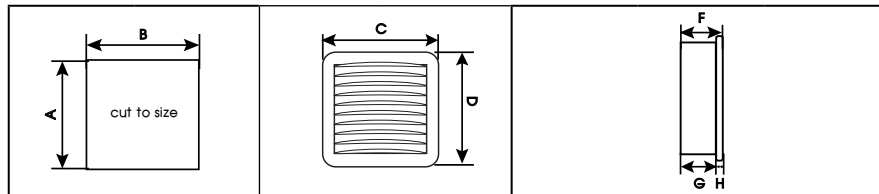
PMV320N



**ACCESSORY**

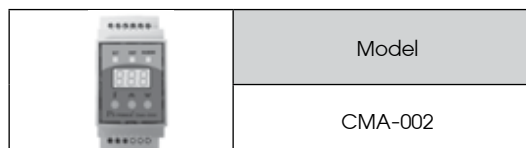
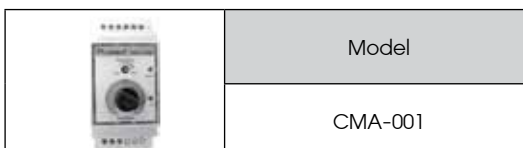
1.) PMF - SERIES is a set of masks with dust filter for air inside the cabinet. There are 3 sizes for selection

Unit : mm.



PICTURE	A	B	C	D	F	G	H	Use for
	92	92	115	115	39	32	7	PMV115N
	176 ±0.5 mm.	176 ±0.5 mm.	205	205	44	37	7	PMV205N
	225 ±0.5 mm.	225 ±0.5 mm.	250	250	43.5	36.5	7	PMV250N
	290 ±0.5 mm.	290 ±0.5 mm.	320	320	42	35	7	PMV320N


2.) CMA - 001/002 - SERIES THERMOSTAT for fan contact operation to extend the life of the fan. There are two models are Analog CMA - 001 and Digital CMA-002



## FAN COMPONENT

Fan which assemblies to PMV-SERIES model


- FP-108-A (110/220VAC) for PMV115N

FP-108-A(110/220 VAC)	DIMENSIONS:mm	<b>COMMONWEALTH</b>
<ul style="list-style-type: none"> <li>•80 x 80 x 38 mm ALPHA</li> </ul> 		


- RAH1238B1-C (220VAC) and RAH1238B2-C (110VAC) for PMV205N

RAH1238B1-C	DIMENSIONS:mm		RAH1238B2-C	DIMENSIONS:mm	
<ul style="list-style-type: none"> <li>•120 x 120 x 38mm</li> </ul> 			<ul style="list-style-type: none"> <li>•120 x 120 x 38mm</li> </ul> 		

- RAH2260B1-C (220VAC) for PMV250N

RAH2260B1-C	DIMENSIONS:mm	
<ul style="list-style-type: none"> <li>•222 x 60mm</li> </ul> 		

- RAH2589B1-C1 (220VAC) for PMV320N

RAH2589B1-C1	DIMENSIONS:mm	
<ul style="list-style-type: none"> <li>•254 x 89mm</li> </ul> 		

## ORDERING CODE

• Fans

PMV  Size  N  Wind Direction  -  Power Supply Voltage  -  color

Size		Wind Direction		Power Supply Voltage		Color	
115	115 x 115 mm.	A	Intake from Cabinet	110	110 VAC (for PMV115N/PMV205N)	GW	Grey+White (Standard) for PMV115N, PMV205N, PMV250N, PMV320N
205	205 x 205 mm.	P	Suction from Cabinet	220	220 VAC (for All Model)	C	Cream for PMV205N, PMV250N, PMV320N
250	250 x 250 mm.					G	Grey for PMV250N Only
320	320 x 320 mm.						

• Filter

PMF  Size  color

Size		Color	
115N	115x115 mm. for PMV 115N	GW	Grey + White (Standard) for PMF115N, PMF205N, PMF250N, PMF320N
205N	205x205 mm. for PMV 205N	C	Cream for PMF205N, PMF250N, PMF320N
250N	250x250 mm. for PMV 250N	G	Grey for PMF250N Only
320N	320x320 mm. for PMV 320N		