

- 24 VDC
- 5 A
- 120 W

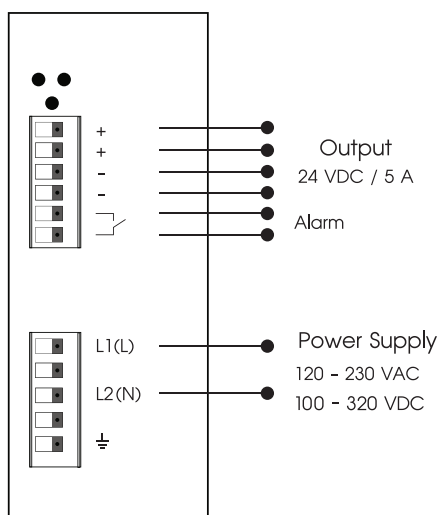
TECHNICAL SPECIFICATION

INPUT TECHNICAL DATA	
Input Rated Voltage	120-230 VAC (Range 90-264VAC) /100-320 VDC
Frequency	45-60 Hz
Current @Nominal Iout (Uin 120 /230 VAC)	1.9 A/1.1 A ±10%
Inrush Peak Current	< 20A
Power Factor (p.f.)	> 0.65
Internal Protection Fuse	3.15 A Replaceable
External Protection on AC Line	Circuit Breaker : 4 A - C Characteristic - Fuse : 4 A
OUTPUT TECHNICAL DATA	
Output Rated Voltage	24 VDC
Output Adjustable Range	23...27.5VDC
Output Rated Current	5A @45 °C
Over Current Protection	8 A for >30 s With 90% Un
Short Circuit Peak Current	15 A for 50 ms
Load Regulation	< 1%
Ripple @ Nominal Ratings	≤ 30 mVpp
Hold up Time @ In (Uin 120/230 VAC)	>17 ms / >72 ms
Overload/Short Circuit Protections	Pick-Up at the Overload limit With Auto Reset / Over Temperature Protection
Status Display	"DC OK" Green LED / "DC OK" Alarm Contact/ "Overload" Red LED
Alarm Contact Threshold	<21.6 Vdc
Parallel Connection	Possible
Redundant Parallel Connection	Factory Provided With Internal Oring Diode
GENERAL TECHNICAL DATA	
Efficiency (Uin 120/230VAC)	>86% / >90%
Power Consumption (Uin 120 / 230 VAC)	19 VA / 13 VA
Input/Output Isolation	3 kVac / 60 s SELV Output
Input/Ground Isolation	1.5 kVac / 60s
Output/Ground Isolation	0.5 kVac / 60s
Ambient Operation	Temperature -20 °C to 60 °C, with Derating 45 °C Humidity Over Temperature Protection
Ambient Storage	Temperature -20 °C to 80 °C Humidity 85 % RH Non-Condensing
Protection Degree	IP 20
Connection Terminal	2.5 mm ² Pluggable Screw Type
Installation	DIN RAIL Mounting
Housing Material	Aluminium
Size (mm.)	45 x 115 x 110.5
Weight	400 g.

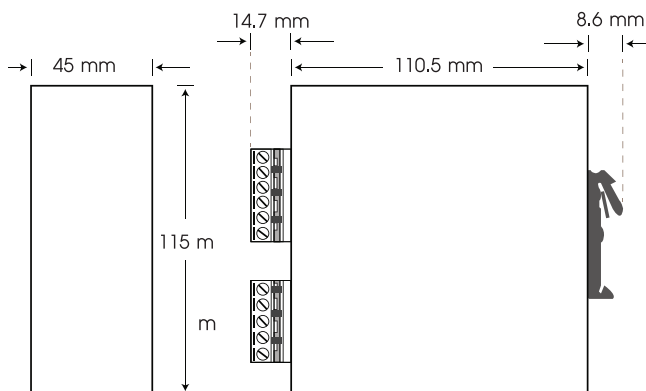
DESCRIPTION

- Input voltage 120 - 230VAC (Range 90-264VAC)
- Output 120 W (24 VDC, 5 A)
- There is a protection system for Short Circuit, Overload, Over temperature protection
- Isolation CLASS2, no grounding needed (No PE connector)
- Compact size
- DIN RAIL installation
- Suitable for applications that require SELV and PELV systems
- SELV = Safety Extra Low Voltage

WIRING DIAGRAM



DIMENSION



ORDERING CODE

PM-024S-5