



**TECHNICAL SPECIFICATION**

Power Supply	15-30 VDC	
Power Consumption	2 VA	
Display	LED	
Output	Inputs Points	4
	Input Type	Thermocouple Type K
		Thermocouple Type J
		Thermocouple Type R
		Thermocouple Type T
		Thermocouple Type N
		Thermocouple Type S
		Thermocouple Type E
		PT100
	Ohms (10-400 Ohms)	
Resolution	0.1 °C	
Accuracy	± 0.25 % FSR @ 25 °C	
Cold Junction	CJC Error	± 0.5 OC Typ. After 30 Minuter Warm Up Time
	Protocol	MODBUS RTU
Communication	Baud Rate	2400, 4800, 9600, 19200, 38400, 57600
	Parity	None, Even, Odd
	Stop Bits	1, 2
	Data Bits	8
	Maximum Support Node	255
	Ambient Operation	Temperature
Ambient Storage	Humidity	<85% RH Non-Condensing
	Temperature	-20 °C to 80 °C
Ambient Storage	Humidity	<85% RH Non-Condensing
	Protection Degree	IP20
Installation	DIN RAIL	
Enclosure	ABS-V0	
Size (mm.)	23 x 110 x 100	
Weight	180 g.	

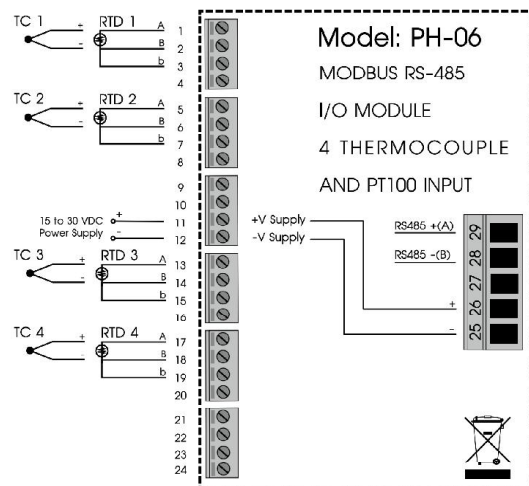
**DESCRIPTION**

- It is used for RS - 485 MODBUS PROTOCOL
- 4 Thermocouple and PT100 Input Resolution 0.1 °C, Isolated
- Operation on RS - 485 MODBUS PROTOCOL
- LEDs indicate each input status

**OPERATION**

PH - 06 can receive 4 thermocouple or PT100 Input in the same resolution. Thermocouple can also be selected. 9 Type is Type J, K, E, T, N, R, S, PT100. And Ohms provide high resolution to convert temperature values into data and send data to MODBUS. Master Device, such as a PC or PLC, to function as desired and relative to the output Module.

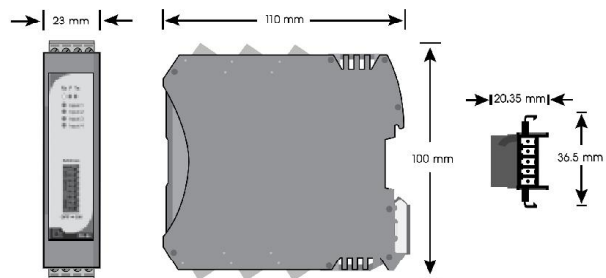
**WIRING DIAGRAM**



**WARNING**

- Make sure the correct wiring connection before turning on electricity. Mis-wiring may cause malfunction of the unit and fire.
- Never modify the unit to prevent damage or incident such as malfunction and fire etc.

**DIMENSION**



**ORDERING CODE**

PH - 06