



TECHNICAL SPECIFICATION

Power Supply	15-30 VDC		
Power Consumption	2 VA		
Display	LED		
Input	Inputs Points	8	
	Input Current/mV	0-20mA / 0-10VDC	
	Input Type	Range	Resolution
	0	0 - 20 mA	1 uA
	1	4 - 20 mA	1 uA
	2	0 - 1 VDC	0.1 mV
	3	± 1 VDC	0.1 mV
	4	0 - 5 VDC	0.1 mV
	5	± 5 VDC	1 mV
	6	0 - 10 VDC	1 mV
	7	± 10 VDC	1 mV
	Accuracy	1% of Full Scale	
	Display Input		
	0	Input Type	
1	0-65535 16 Bits		
2	Scale Zero Span		
Communication	Protocol	MODBUS RTU	
	Baud Rate	2400, 4800, 9600, 19200, 38400, 57600	
	Parity	None, Even, Odd	
	Stop Bits	1, 2	
	Data Bits	8	
	Maximum Support Node	255	
Ambient Operation	Temperature	-10 °C to 60 °C	
	Humidity	<85% RH Non-Condensing	
Ambient Storage	Temperature	-20 °C to 80 °C	
	Humidity	<85% RH Non-Condensing	
Protection Degree	IP20		
Installation	DIN RAIL		
Enclosure	ABS-V0		
Size (mm.)	23 x 110 x 100		
Weight	155 g.		

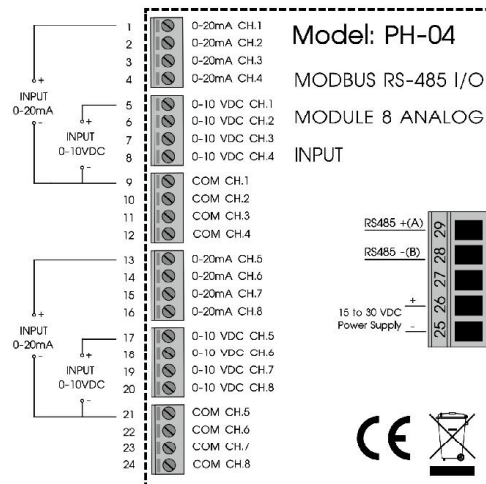
DESCRIPTION

- It is used for RS - 485 MODBUS PROTOCOL
- 8 Analog Input 0 - 20 mA/0 - 10 VDC, 16 Bits, Isolated
- Operation on RS - 485 MODBUS PROTOCOL
- LEDs indicate each input status

OPERATION

The PH - 04 can accept up to 8 analog inputs. It can select from 0 - 20 mA and 0 - 10 VDC in the same resolution, Resolution 16 bits provides high resolution for converting input and sending data to MODBUS Master Device such as PC or PLC to function as required and relative to Analog Output Module

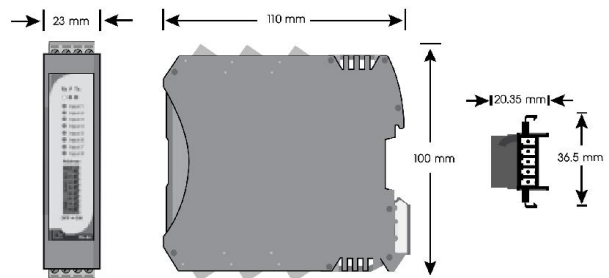
WIRING DIAGRAM



WARNING

- Make sure the correct wiring connection before turning on electricity. Mis-wiring may cause malfunction of the unit and fire.
- Never modify the unit to prevent damage or incident such as malfunction and fire etc.

DIMENSION



ORDERING CODE

PH - 04