



DESCRIPTION

- It is used for RS - 485 MODBUS PROTOCOL 8 Input and 8 Output
- Input receive both NPN and PNP Open Collector, Isolated
- Output type NPN Open Collector, Isolated
- 3 Model for Counter, Disable, Count Up and Count Up + Down
- Operation on RS - 485 MODBUS PROTOCOL
- LEDs indicate each input and output status

OPERATION

PH - 01 has 8 Isolated Input and 8 Isolated Output. It can read and write data via RS-485. MODBUS PROTOCOL in addition, Input can function as a 32-bit Counter Function to count the number of readable inputs Operation of Digital Input

Digital Input

The PH-01 can be used with Proximity Switch, Photo Switch, Encoder, etc., with NPN and PNP. The function of Counter Fountain is available in 3 modes

Mode 0: Works as Digital Input ON/OFF ONLY

Mode 1: Works as Digital Input Reads ON/OFF and Function Counter Up. Each input works with the count values stored in 32 Bit Register of Counter 1 to Counter 8 Register

Mode 2: Both Digital Input, ON/OFF and Function Counter Up/ Down. In this mode, two inputs are used

Input 1 for count up and Input 2 for count down. The value is stored in Counter 1 Register.

Input 3 for count up and 4 for count down. The value is stored in Counter 2 Register.

Input 5 for count up and 6 for count down. The value is stored in Counter 3 Register.

Input 7 for count up and Input 8 for count down. The value is stored in Counter 4 Register.

Input Filter (Input Filter Feature)

0 is able to read the highest input frequency of 1 KHz.

1 is able to read the maximum input frequency of 10 Hz if the input frequency is higher than 10 Hz The device cannot be counted. Suitable for input type switch

Input Type Selection

- NPN: Input when changing from + 12V to + 24V to 0V (Active Low)

- PNP: Input when changing from 0V to + 12V to +24V (Active High)

Digital Output operation

The output of the PH-01 has 8 output as NPN

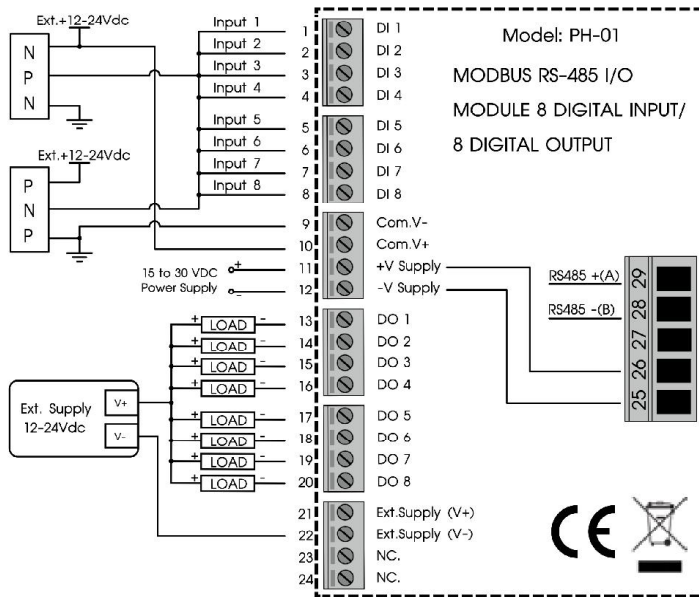
TECHNICAL SPECIFICATION

Power Supply		15-30 VDC
Power Consumption		2 VA
Display		LED
Input	Inputs Points	8
	Input Voltage Range	12-24 VDC
	Input Current Per Input	5 mA @12 VDC, 11 mA @ 24 VDC
	Isolation	1500 Vrms Between Field And Logic
Output	Output Points	8
	Maximum Voltage	36 VDC
	Maximum Current	100 mA Per Output
	Isolation	1500 Vrms Between Field And Logic
Communication	Protocol	MODBUS RTU
	Baud Rate	2400, 4800, 9600,19200 , 38400, 57600
	Parity	None, Even, Odd
	Stop Bits	1, 2
	Data Bits	8
	Maximum Support Node	255
Ambient Operation	Temperature	-10 °C to 60 °C
	Humidity	<85% RH Non-Condensing
Ambient Storage	Temperature	-20 °C to 80 °C
	Humidity	<85% RH Non-Condensing
Protection Degree		IP20
Installation		DIN RAIL
Enclosure		ABS-V0
Size (mm.)		23 x 110 x 100
Weight		150 g.

4 PH-01

MODBUS RS-485 I/O MODULE 8 DIGITAL INPUT/ 8 DIGITAL OUTPUT

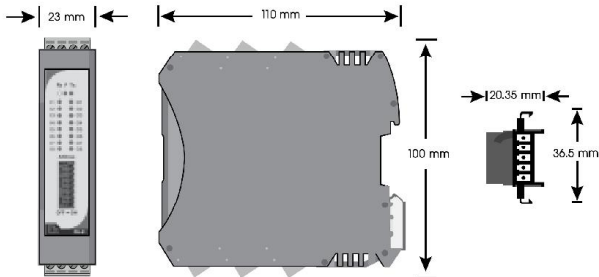
WIRING DIAGRAM



WARNING

- Make sure the correct wiring connection before turning on electricity. Mis-wiring may cause malfunction of the unit and fire.
- Never modify the unit to prevent damage or incident such as malfunction and fire etc.

DIMENSION



ORDERING CODE

PH - 01