

คุณสมบัติ

- Device for cut or connect circuit for Single Phase, 12-400VAC.
- Able to use with Load type as :
 - ZERO CROSS (Resistive Load) : Heater, Lamp.
 - RANDOM (Inductive Load) : Motor
- Input Voltage : 4-30VDC and 90-240VAC
- Current : 25A, 40A, 50A, 75A .
- Suitable for the application that ON/ OFF often.
 - Contact surface free without arc at contact surface.
 - Long life service.

การทำงาน

PS-Series (Single Phase Solid State Relay) : is solid state in Single Phase type. When there are input signal come in follow voltage range then Output will operate

Inside will be consist Semiconductor with contact surface that make it doesn't arc on contact surface. It is suitable with the application that ON/OFF often.

The user can choose by Resistive Load type such as Heater, lamp and inductive load such as Motor etc. It can use this device instead Magnetic Contactor that made this device has long service life.

Because the device has cut and connect often and receive high current so the installation of Solid State Relay must be installed with heat sink for heat transfer.

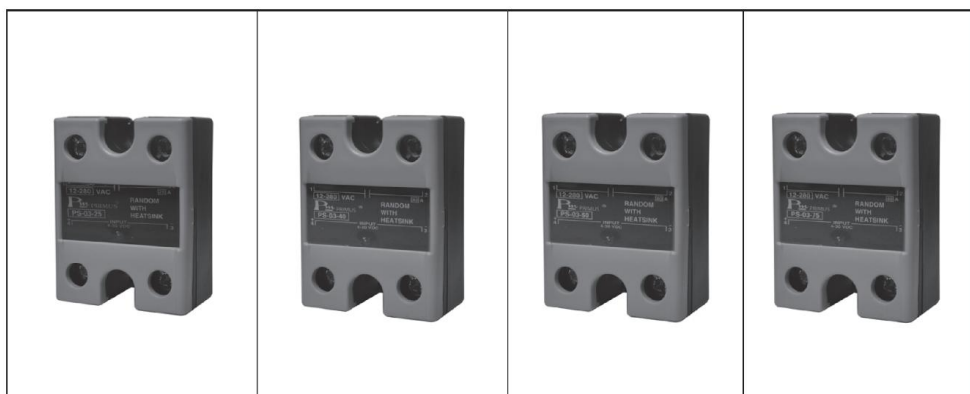
SOLID STATE RELAY
ข้อมูลทางเทคนิค


Model	PS-01N-25	PS-01N-40	PS-01N-50	PS-01N-75
TYPE	Zero Cross (Resistive Load)			
Input	LED (Red Show Input Control)			
	Control Voltage 4-30VDC			
	Input Impedance > 1kΩ			
Output	Switching Voltage 12 to 400 VAC (1-Phase)			
	Peak Voltage 400V			
	Switching Current			
	25A	40A	50A	75A
	Max Drop Voltage 1.4Vrms			
	Maximum Leakage Current 15 mA rms			
	Power Factor 0 up to 1			
	Operating Frequency Range 10 up to 440 Hz			
	$I^2t = 340A^2s$		$I^2t = 880A^2s$	
	$I^2t = 680A^2s$		$I^2t = 1760A^2s$	
Ambient Operation	Temperature	-10 °C to 60 °C		
	Humidity	85 % RH Non-Condensing		
Ambient Storage	Temperature	-20 °C to 80 °C		
	Humidity	85 % RH Non-Condensing		
Protection Degree	IP40			
Installation	Screw with Heat Sink			
Material	ABS-V0			
Size	45.2 x 58.8 x 21.36mm.			
Weight	90 g.			

ข้อมูลทางเทคนิค [ต่อ]



Model	PS-02-25	PS-02-40	PS-02-50	PS-02-75
TYPE	Zero Cross (Resistive Load)			
Input	LED (Red Show Input Control)			
	Control Voltage 90-240VAC			
	Input Impedance > 150kΩ			
Output	Switching Voltage 12 to 400 VAC (1-Phase)			
	Peak Voltage 400V			
	Switching Current			
	25A	40A	50A	75A
	Max Drop Voltage 1.4Vrms			
	Maximum Leakage Current 15 mA rms			
	Operating Frequency Range 10 up to 440 Hz			
	$I^2t = 340A^2s$	$I^2t = 880A^2s$	$I^2t = 680A^2s$	$I^2t = 1760A^2s$
Ambient Operation	Temperature	-10 °C to 60 °C		
	Humidity	85 % RH Non-Condensing		
Ambient Storage	Temperature	-20 °C to 80 °C		
	Humidity	85 % RH Non-Condensing		
Protection Degree	IP40			
Installation	Screw with Heat Sink			
Material	ABS-V0			
Size	45.2 x 58.8 x 21.36mm.			
Weight	90 g.			

ข้อมูลทางเทคนิค [ต่อ]


Model		PS-03N-25	PS-03N-40	PS-03N-50	PS-03N-75
TYPE		RANDOM (Inductive Load)			
Input		LED (Red Show Input Control)			
		Control Voltage 4-30VDC			
		Input Impedance > 1kΩ			
Output		Switching Voltage 12 to 400 VAC (1-Phase)			
		Peak Voltage 400V			
		Switching Current			
		25A	40A	50A	75A
		Max Drop Voltage 1.4Vrms			
		Maximum Leakage Current 15 mA rms			
		Operating Frequency Range 10 up to 440 Hz			
		$I^2t = 340A^2s$	$I^2t = 880A^2s$	$I^2t = 680A^2s$	$I^2t = 1760A^2s$
Ambient Operation	Temperature	-10 °C to 60 °C			
	Humidity	85 % RH Non-Condensing			
Ambient Storage	Temperature	-20 °C to 80 °C			
	Humidity	85 % RH Non-Condensing			
Protection Degree		IP40			
Installation		Screw with Heat Sink			
Material		ABS-V0			
Size		45.2 x 58.8 x 21.36mm.			
Weight		90 g.			

* For Profibus connections, please refer to single input model

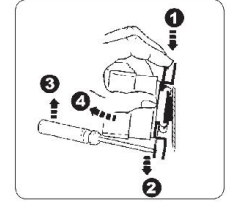
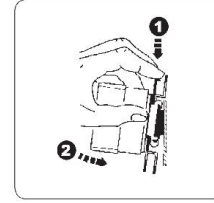
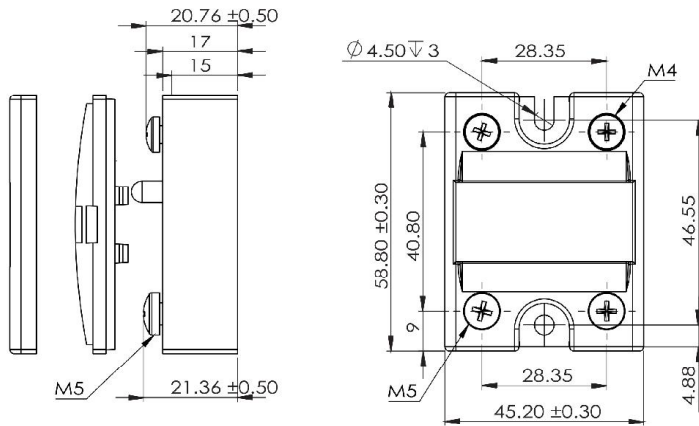
ข้อมูลทางเทคนิค [ต่อ]

CE



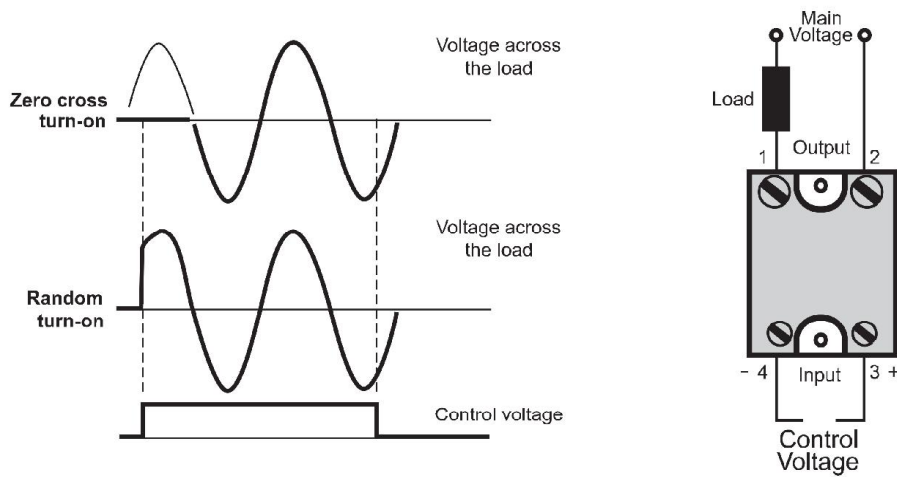
Model		PS-04-25	PS-04-40	PS-04-50	PS-04-75
TYPE		RANDOM (Inductive Load)			
Input		LED (Red Show Input Control)			
		Control Voltage 90-240VAC			
		Input Impedance > 150kΩ			
Output		Switching Voltage 12 to 400 VAC (1-Phase)			
		Peak Voltage 400V			
		Switching Current			
		25A	40A	50A	75A
		Max Drop Voltage 1.4Vrms			
		Maximum Leakage Current 15 mA rms			
		Operating Frequency Range 10 up to 440 Hz			
		$I^2t = 340A^2s$	$I^2t = 880A^2s$	$I^2t = 680A^2s$	$I^2t = 1760A^2s$
Ambient Operation	Temperature	-10 °C to 60 °C			
	Humidity	85 % RH Non-Condensing			
Ambient Storage	Temperature	-20 °C to 80 °C			
	Humidity	85 % RH Non-Condensing			
Protection Degree		IP40			
Installation		Screw with Heat Sink			
Material		ABS-V0			
Size		45.2 x 58.8 x 21.36mm.			
Weight		90 g.			

ขนาดและมิติ



SOLID STATE RELAY

การต่อใช้งาน



อุปกรณ์เสริม

