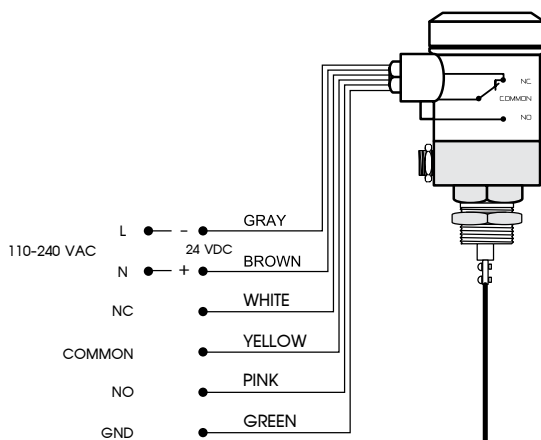
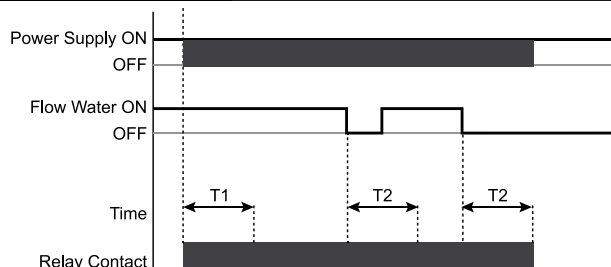



TECHNICAL SPECIFICATION

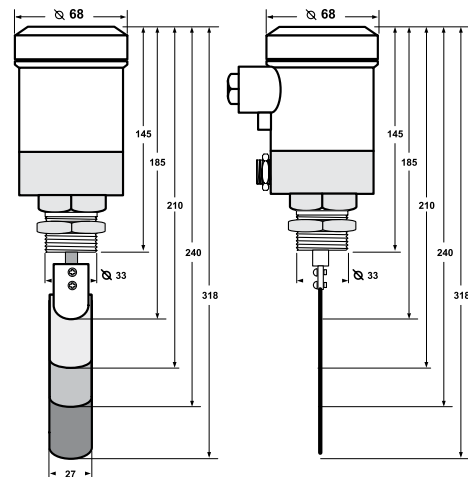
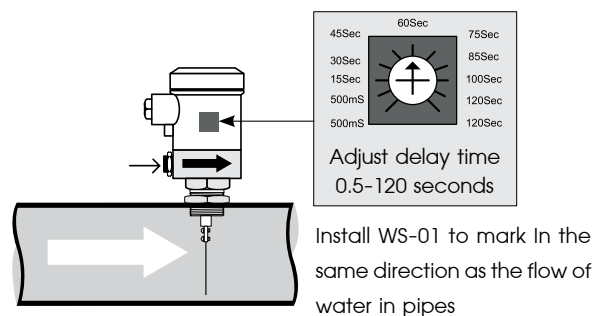
Power Supply		110-240 VAC 50Hz 24 VDC
Power Consumption		1.25VA
Thread		1" NPT
Pressure		150 PSI (10 BAR)
Output		SPDT 5A 250VAC, 5A 30VDC
Timer	Start Delay Time	0.5-120 Sec.
	OFF Delay Time	0.5-120 Sec.
Ambient Operation	Temperature	0-70 °C
	Humidity	85% RH Non-Condensing
Ambient Storage	Temperature	0-80 °C
	Humidity	85% RH Non-Condensing
Protection Degree		IP64
Installation		Thread
Material	Head Cover	Aluminium
	Propeller	Stainless Steel (SUS304)
Size		Ø68 x 318 mm.
Weight		1255g.

WIRING DIAGRAM

OPERATION GRAPH

DESCRIPTION

- WS-01 is a water flow detector to protect the pump from working without water
- Can adjust the length of the rotor. To fit the water pipe size.
- IP64 protection level
- Start Delay Timer to help the pump run at startup and OFF Delay.
- Timer to prevent WS-01 from OFF if the water is not full or the water is out of range

OPERATION

When supplying power to the WS-01: Flow Switch, the Relay Output is ON by the time of the Start Delay Time (T1) (by adjusting the Pot. In WS-01). Set the pump to run before the water flows in the pipe. Once completed, WS-01 will begin to check the flow of water in the pipeline. If the water in the pipe stops flowing over the time of OFF Delay Time (T2) (by adjusting the Pot inside the WS-01 as well), it will command the Relay Output to OFF to prevent water pump damage. It is easy to use and save two Timers. Unlike the typical Flow Switch

DIMENSION

INSTALLATION

ORDERING CODE

WS-01-

POWER SUPPLY	
220	110-240VAC
24	24VDC