

**DESCRIPTION**

- RP -XXWA is a compact relay module that consists of relays many are in the same set.
- Receive 220 VAC input voltage
- DPDT 250 VAC, 5A output relay
- 1 relay module is available to select the number of relays from 2, 4, 8, 12 and 16 relays.
- Convenient to wiring cables and repairing maintenance
- Save space for installation in the cabinet, MDB
- There is an LED showing the operating status of each relay.
- DIN RAIL installation

**OPERATION**

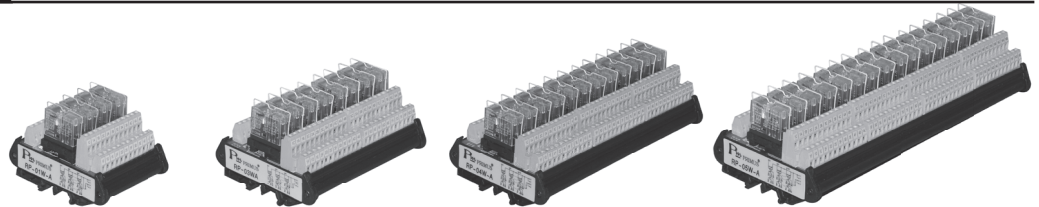
RP-XXWA is a Slim Relay Module that consists of multiple relays. From 4, 8, 12 and 16 relays are in the same set. Slim, compact structure thus saving installation space The installation style is DIN RAIL, suitable for installation in electrical cabinets, MDB.

RP-XXWA can be connected to the output of the PLC or other devices. That is both PNP and NPN to use contact relays to use. There is a LED showing the status of the relay. There is a terminal to wiring 2.5 mm 2 power cable makes it easy to wiring wires and easy maintenance. The system can withstand temperatures of -10 to 50 °C.

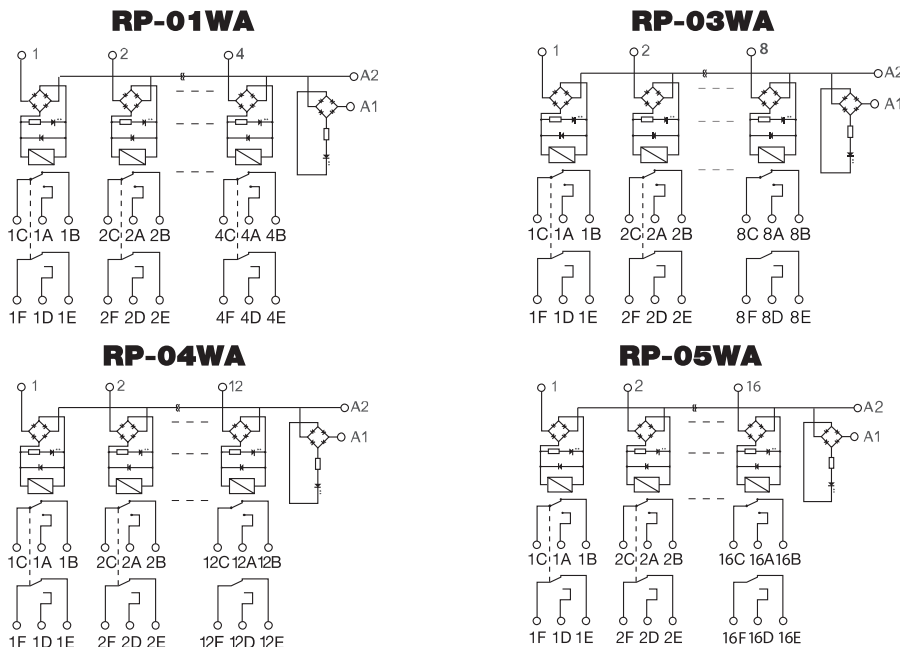
**TECHNICAL SPECIFICATION**

**RP-XXWA**  
**DPDT RELAY MODULE**

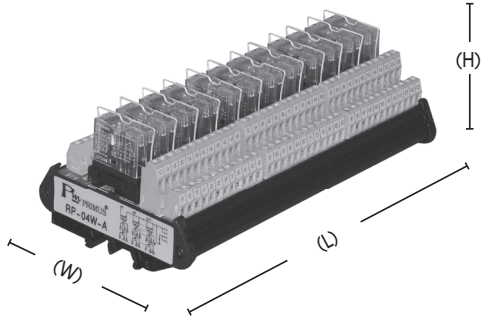
- AC CONTROL VOLTAGE



MODEL	RP-01WA	RP-03WA	RP-04WA	RP-05WA
Rate input voltage	220 VAC ±10%	220 VAC ±10%	220 VAC ±10%	220 VAC ±10%
Rate input current	6 mA ±10%	6 mA ±10%	6 mA ±10%	6 mA ±10%
Turn on time	15 ms	15 ms	15 ms	15 ms
Turn off time	10 ms	10 ms	10 ms	10 ms
Type and number of contact	DPDT x 4 relays	DPDT x 8 relays	DPDT x 12 relays	DPDT x 16 relays
Rate output voltage	250 VAC	250 VAC	250 VAC	250 VAC
Rate output current	5 A	5 A	5 A	5 A
Current breaking power	5 A	5 A	5 A	5 A
Terminals / Connectors	Terminal blocks 2.5 mm <sup>2</sup>	Terminal blocks 2.5 mm <sup>2</sup>	Terminal blocks 2.5 mm <sup>2</sup>	Terminal blocks 2.5 mm <sup>2</sup>
Operating temperature	-10 to 50°C	-10 to 50°C	-10 to 50°C	-10 to 50°C
Coil / contact isolation	5 k VAC / 60 s	5 k VAC / 60 s	5 k VAC / 60 s	5 k VAC / 60 s
Status display	LED	LED	LED	LED
Approximative weight	300 g	430 g	650 g	850 g
Relay module dimension	98(W)x72(L)x74(H) mm.	98(W)x139(L)x74(H) mm.	98(W)x208(L)x74(H) mm.	98(W)x276(L)x74(H) mm.

**WIRING DIAGRAM**


SIZE AND DIMENSION



MODEL	W(mm.)	L(mm.)	H(mm.)
RP-01WA	98	72	74
RP-03WA	98	139	74
RP-04WA	98	208	74
RP-05WA	98	276	74

ORDERING CODE

RP-

01WA	DPDT x 4 Relays
03WA	DPDT x 8 Relays
04WA	DPDT x 12 Relays
05WA	DPDT x 16 Relays