



PM-021N

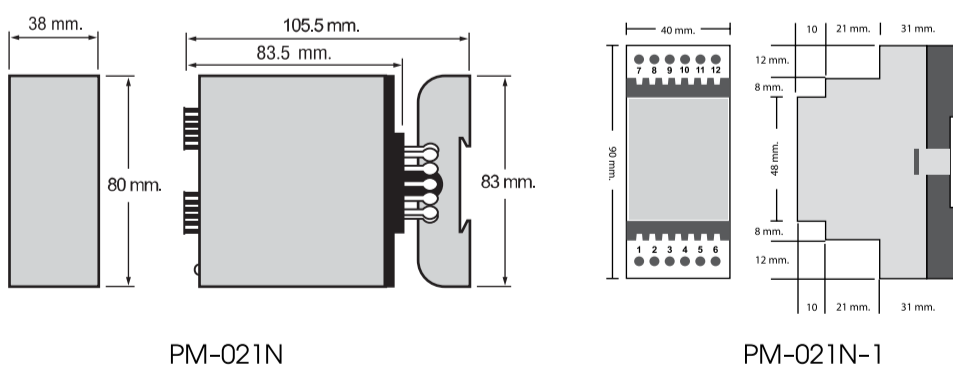


PM-021N-1

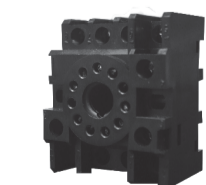
TECHNICAL SPECIFICATION

Model	PM-021N	PM-021N-1
Power Supply	230 VAC $\pm 15\%$ 50-60 Hz	
	115 VAC $\pm 15\%$ 50-60 Hz	
	24 VDC $\pm 15\%$	
Power Consumption	2 VA	
Display	Red LED (Power Supply Voltage)	
	Green LED (Working Relay)	
Voltage Detector	2 VAC, 50 Hz	
Current Detector	2 mA.	
Relay Contact	5 A / 250 VAC	
Probe	Standard 2 or 3	
Probe Size	Max. 100 Metre.	
Adjust Button	0 - 10 k Ω	
Ambient Operation	Temperature	-10 °C to 60 °C
	Humidity	85 % RH Non-Condensing
Ambient Storage	Temperature	-20 °C to 80 °C
	Humidity	85 % RH Non-Condensing
Protection Degree	IP50	
Installation	Socket	DIN RAIL
Material	ABS-V0	ABS-V0
Size	38 x 80 x 84 mm.	40 x 90 x 62 mm.
Weight	195 g.	175 g.

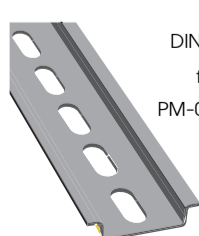
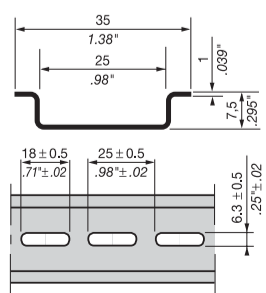
DIMENSION



INSTALLATION



Socket for PM-021N

DIN RAIL
for
PM-021N-1

DESCRIPTION

- Device control the water or other liquid detection in 1 level and 2 level by electrical inductive.
- There is a rotary button to adjust the operation sensitivity for suitable with liquid type.
- The user can choose the operation function to Charging or Discharging.
- LED show power supply and show relay operation.
- It can use with Electrode Holder for Conductivity Level Control set (Electrode stick)
- Socket (PM-021N) and DIN RAIL (PM-021N-1) installation.

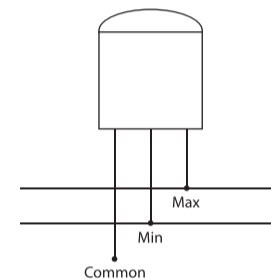
OPERATION

PM-0021N/PM-021N-1 will control water detection or other liquid by connect with Electrode Holder for Conductivity Level Control (Electrode Stick).

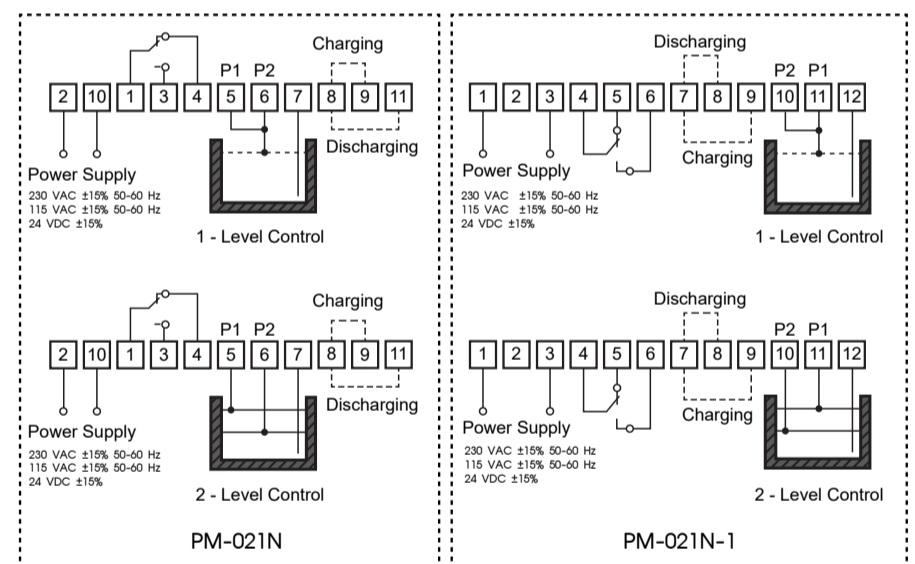
Charging operation when water level go to minimum level(Min). Relay will operate to order water pump drain water to water tank until water level go to Maximum level(Max). Relay will stop working. And when the water decrease to minimum level relay will operate again.

But if it is Discharging function when water is full level (Max). Relay will operate to order pump drain water out from tank until the level decrease to Min level relay will stop operation.

The user can apply to control ON-OFF valve for supply water in and out from system by use water conduct the electrical current in the circuit which Electrode stick will consist of 3 stick as Common, Mim, Max by Min and Max will do like Contact surface cut and connect electrical circuit out from system for protect pump to damage and burn because pump dry run.



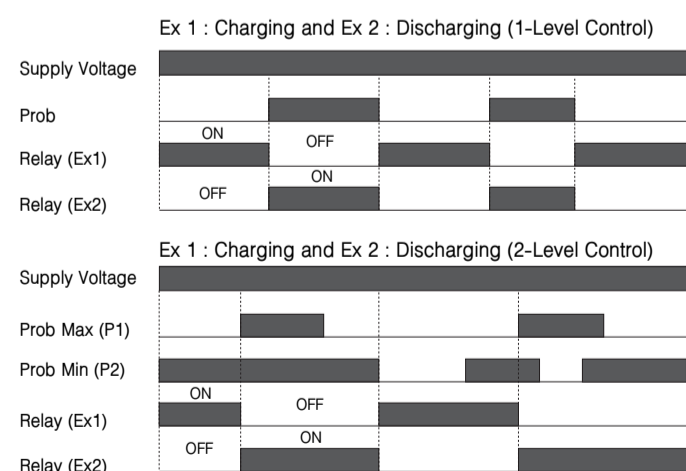
WIRING DIAGRAM



WARNING

- Make sure the correct wiring connection before turning on electricity. Mis-wiring may cause malfunction of the unit and fire.
- Never modify the unit to prevent damage or incident such as malfunction and fire etc.

OPERATING GRAPH



ORDERING CODE

INSTALLATION TYPE	POWER SUPPLY
PM-021N- [] - []	
None	Socket
1	DIN RAIL
	024
	24 VDC
	115
	115 VAC
	230
	230 VAC



PM-021N/PM-021N-1

บริษัท โพรมัส จำกัด
 119 ซ.สีม่วงอนุสรณ์ ถ.สุทธิสารวินิจฉัย แขวงดินแดง
 เขตดินแดง กรุงเทพฯ 10400
 โทร 0-2693-7005, 0-2277-8027 แฟกซ์ 0-2277-3565
 E-mail : sales@primusthai.com