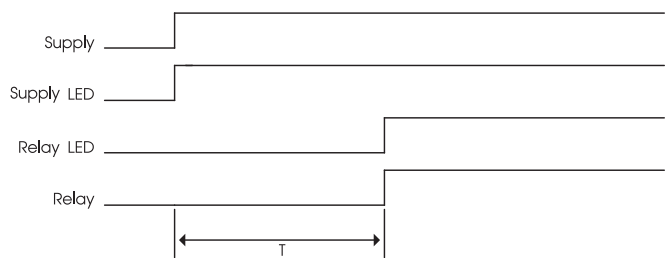


DESCRIPTION

- Timer to delay time before operate Range 30 Sec., 120 Sec., 16 Minute, 2 Hour(PF-02), 1 Sec, 4 Sec, 30 Sec, 256 Sec (PF-02-1)
- Able to use AC and DC Supply.
- Small and Compact Size.
- Relay LED will ON when Relay operate.

OPERATION

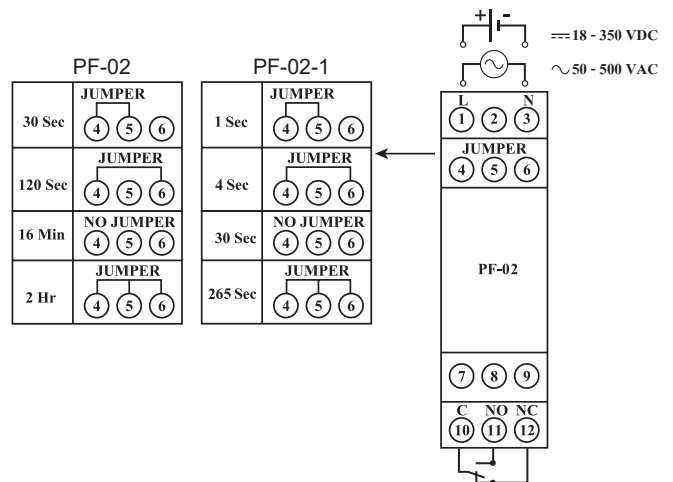
When the user supply power to PF-02. It will delay time before operate depend on time from setting. When the time has complete then Relay Output will operate. PF-02-Series is able to choose the operation mode. There are 4 operation mode in one product i.e. 30 sec, 120 sec, 16 Minute, 2 Hour (PF-0), 1 Sec, 4Sec, 30 Sec, 256 Sec(PF-02-1), by connect Jumper.



TECHNICAL SPECIFICATION

Power Supply	18 - 350 VDC / 50 - 500 VAC 50-60 Hz	
Power Consumption	<3 VA	
Time Setting	Time Range PF-02	0.3-30 sec, 1-120 sec, 9 sec - 16 Min, 1 min - 2 Hr
	Time Range PF-02-1	0.025-1 sec, 0.1-4 sec, 1-30 sec, 6.4-265 sec
Output	Relay Output Type	1 Form C (SPDT)
	Maximum Rating	5A 250VAC / 5A 30VDC
Ambient Operation	Temperature	-10 °C to 60 °C
	Humidity	<85% RH Non-Condensing
Ambient Storage	Temperature	-20 °C to 80 °C
	Humidity	<85% RH Non-Condensing
Protection Degree	IP20	
Installation	DIN RAIL Mounted	
Material	ABS-V0 (UL-94 V0)	
Size	60 x 17.50 x 90.40 mm.	
Weight	62 g.	

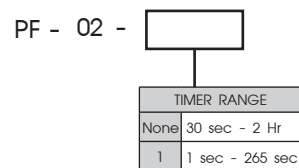
WIRING DIAGRAM



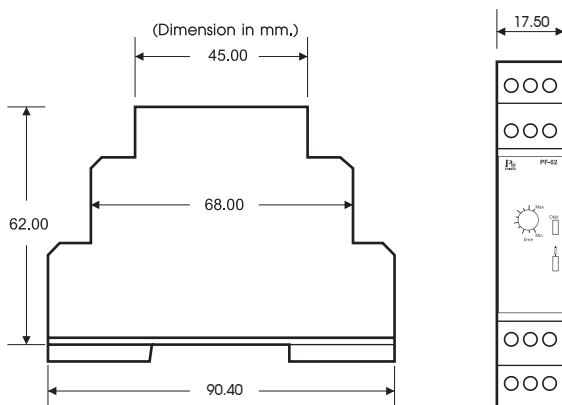
WARNING

- Make sure the correct wiring connection before turning on electricity. Mis-wiring may cause malfunction of the unit and fire.
- Never modify the unit to prevent damage or incident such as malfunction and fire etc.

ORDERING CODE



DIMENSION



PF-02

บริษัท ไพรมัส จำกัด
119 ซ.สีม่วงอนุสรณ์ ถ.สุทธิสารวินิจฉัย แขวงดินแดง
เขตดินแดง กรุงเทพฯ 10400
โทร 0-2693-7005, 0-2277-8027 แฟกซ์ 0-2277-3565
E-mail : sales@primusthai.com