



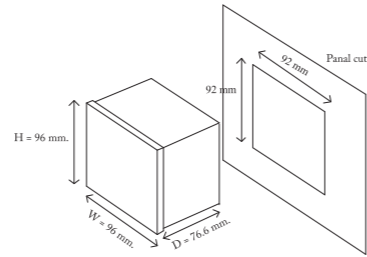
KM-07



TECHNICAL SPECIFICATION

Power Supply	230 VAC ±15 % 50-60 Hz	
Power Consumption	2.5VA	
Display	LCD	
Input	Type	Voltage (TRUE RMS)
	Direct Phase and Neutral	10 to 290 VAC
	Direct Between Phase	10 to 500 VAC
	Primary Voltage	Up to 72000 VAC
	Secondary Voltage	60, 100, 110, 173, 190, 240 VAC
	PT Ratio	1-300
	Accuracy	± 0.2 % FS.
	Type	Current (TRUE RMS)
	Direct	20 mA to 10 A
	Primary Current	Up to 10000 A
	Secondary Current	20 mA to 5 A
	Accuracy	±0.2% FS.
	Type	Power
	Accuracy	± 0.5 % (FS)
Type	Power Factor	
Accuracy	± 0.2 % (FS)	
Type	Frequency	
Accuracy	45 to 65 Hz ± 0.1Hz	
Active Energy Accuracy	IEC 61036 Class 0.5	
Reactive Energy Accuracy	IEC 61036 Class 1.0	
THD	Volt, Current	
Digital Output	Speed	32 Pulse/sec
	Voltate Operate	10-48 VDC
Communication	Protocol	MODBUS RTU
	Baud Rate	2400, 4800, 9600, 19200 38400 bps
	Parity	None, Even, Odd
	Stop Bits	1, 2
	Data Bits	8 Bits
Support Device Node	128	
Ambient Operation	Temperature	-10 °C to 60 °C
	Humidity	85 % RH Non-Condensing
Ambient Storage	Temperature	-20 °C to 80 °C
	Humidity	85 % RH Non-Condensing
Protection Degree	Front Protection Rating	IP52
	Case Protection Rating	IP30
Installation	Panel Mounting	
Material	ABS-V0	
Size	96 x 96 x 76.6 mm.	
Weigth	465 g.	

DIMENSION



DESCRIPTION

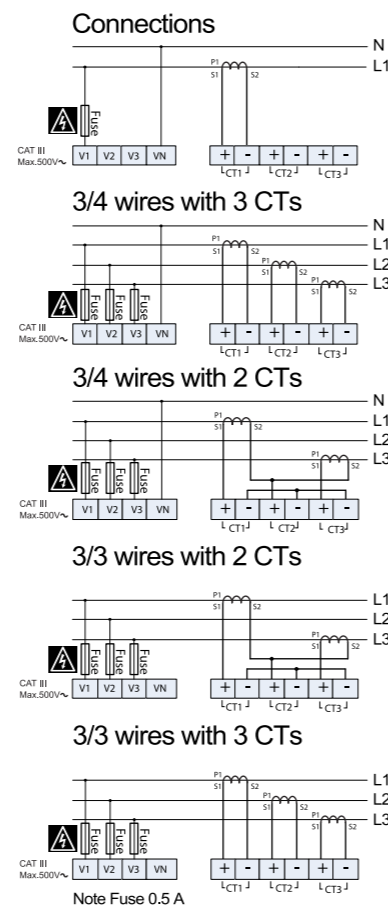
- KM-07 is a power meter. Can measure V(Line), V (Phase), A (Phase) kW, kVA, kVar, kWh, kVAh, kVarh, PF, Hz, kW Demand, Peak Demand, THD (Harmonic) for 1 Phase / 3 Phase
- LCD display
- Potential Transformer Ratio (PT) and Current Transformer Ratio (CT) can be set.
- Pulse output, Analog 4-20 mA
- Can communicate via RS-485 port, MODBUS RTU PROTOCOL

OPERATION

KM - 07 is a meter that can measure Volt, Amp, Watt, var, VA, kWh, kvarh and kVAh. It can measure the phase angle between current and voltage and THD% of Volt and Amp. RS - 485 communication with MODBUS RTU PROTOCOL. Measures kWh, kvarh and kVAh 13 digits (9,999,999,999,999)

WIRING DIAGRAM

The circuit of KM - 07 can be connected according to the diagram below. When the current transformer (CT) is removed from the KM - 07. Short circuit on secondary side of CT All to protect against CT damage



Display and Key Pad Function

Measurable value display Can be selected according to Function Key Pad. Table 1 is a summary of the parameters that can be displayed by the button.

Table 1 Summary of selectable impressions in each button

V/I	P-1Ø	P-3Ø	En
Volt Phase-neutral	Phase kWatt	Energy 14 digit	Rolling Energy
Current	Phase kVar	Demand	information display
Volt Phase-Phase	Phase kVA	Max Demand	Imp , Exp, total kWh
kVA	Total kVA	Min Demand	Kvarh*A ³ kVAh
THD-I	Total kWatt	Date/Time	(Imp, Exp kWh
THD-V	Total kVar	Hours Counter	
	Angle between V&I		

Phase (key V/I)

Volt Phase - Neutral Display
Amp Phase, kVA and PF of Phase By pressing the V / I button, the front number changes accordingly.
Phase displayed if Loop Page is set.
The display will only loop at this Page.

Volt Between Line - Line (key V/I)

Displays Volt line to line and system frequencies.
The numbers are 1-2, 2-3 and 3-1 in front.

% THD-V/ THD-I (key V/I)

When the THD-V is displayed, the U and THD icons appear.
When the THD - I value is displayed, icons I and THD appear.

Power (key P-1Ø)

Show the kWatt, kvar, kVA and PF values of each phase.
By pressing P - 1Ø, the front number changes according to the displayed phase.

Total Power (key P-1Ø)

Show total kWatt, kvar, kVA, and PF total of systems. (To display total value, there will be no figure showing the front phase.)

Phase Angle Between V&I (key P-1Ø)

Displays the Phase Angle between Volt & Current and the Freq value of the system

Energy (key P-3Ø & key En)

Display the Energy Value in the 10th to 13th of the Energy Value. And Energy Core 1 - 9 of Energy
By pressing the key, En shows the Energy Imp, Exp, total of kWh, kvarh, and kVAh.

Total Demand (key P-3Ø)

Display Demand Total kWatt, kvar, kVA, and PF total. (In the Total display, no numbers are shown on the front.)

Date (key P-3Ø)

Display the date / month / year on the Meter

Time (key P-3Ø)

Display hours: minutes: seconds on Meter

Hours Counter (key P-3Ø)

Display Meter working Hours. Unit is hour (Count only when measured at kVA > 0)

Reset Energy

1. Set Parameter RES in Parameter Menu to 1.
2. Go to Page En and press P-3Ø & En at the same time for 5 seconds when the Energy value To 0, the Parameter RES becomes 0

Reset MD

1. Set Parameter RES in Parameter Menu to 1.
2. Go to Page Total Demand and press P - 3Ø & En simultaneously for 5 seconds. When the Demand value is 0, the Parameter RES becomes 0

Reset Hour Counter

1. Set Parameter RES in Parameter Menu to 1.
2. Go to Page Hours and press P - 3Ø & En simultaneously for 5 seconds. When Page Hours is 0, the Parameter RES becomes 0

ORDERING CODE

KM-07- -

Metering		Output	
A	Total kWh	None	Pulse Output
B	Total, Import, Export kWh	1	Analog Out, Pulse Output
		2	RS-485, Pulse Output
		3	RS-485, Analog Out, Pulse Output

