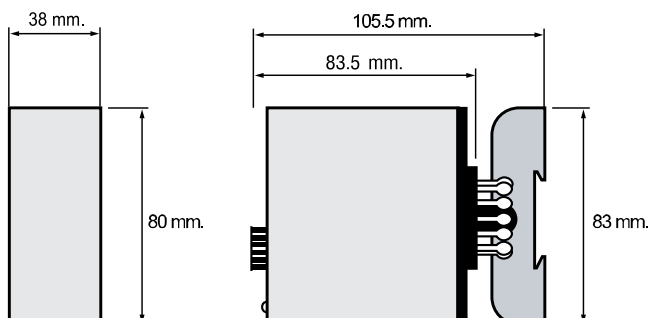




Socket


TECHNICAL SPECIFICATION

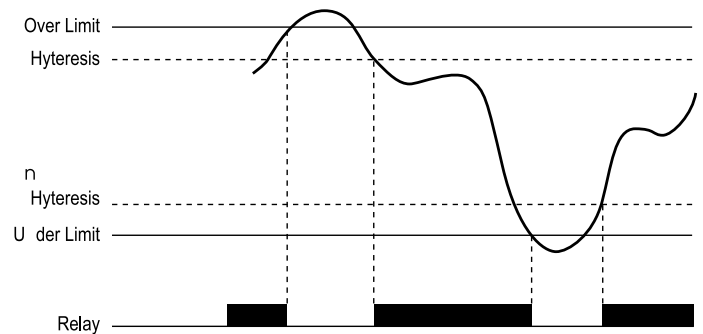
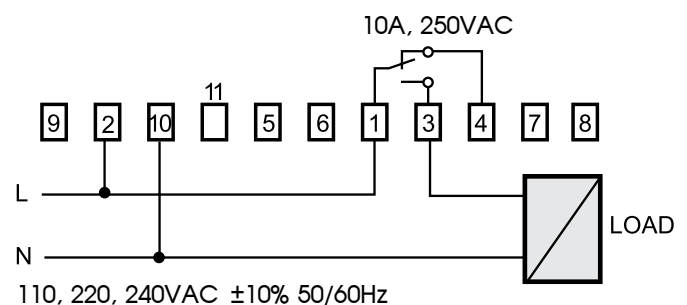
Power Supply		Single Phase 110, 220, 240VAC $\pm 10\%$ 50/60 Hz
Power Consumption		2.5 VA
Display		Red LED (Under Voltage / Relay OFF) Red LED (Over Voltage / Relay OFF) LED Green (Relay ON)
Input	Scale Adjustment	Over Voltage Scale 105 to 120% Volt Under Voltage Scale 80 to 95% Volt
	Hysteresis	1 %
	Accuracy	± 2 VAC
Output	Relay Output	1 Relay Output 10A 250VAC
Ambient Operation	Temperature	-10°C to 60°C
	Humidity	85 % RH Non-Condensing
Ambient Storage	Temperature	-20°C to 80°C
	Humidity	85 % RH Non-Condensing
Protection Degree		IP40
Installation		DIN Rail Mounting
Material		ABS-V0
Size		38 x 80 x 83.5 mm.
Weight		210g.

DIMENSION

DESCRIPTION

- Overvoltage Relay for 1-phase power supply 110, 220, 240VAC $\pm 10\%$ 50/60Hz
- Check the overvoltage between 105-120% volt and the voltage drop between 80-95% volts.
- There are two buttons for adjusting the voltage drop and overload.
- LED indication when the voltage drop (LL) and LED are displayed when the overvoltage (UL)
- Suitable for motor protection, compressor or other equipment. Damage due to power failure due to over voltage.

OPERATION

The PM-011 relay will measure the input voltage if the voltage between the upper limit and the upper limit, the relay contact is ON. However, if the voltage exceeds the upper limit or lower than the lower limit, the relay will be OFF and ON again when the voltage is lower than the upper limit of 2 V and higher than the lower limit. 2V.

OPERATING GRAPH

WIRING DIAGRAM

ORDERING CODE

 PM-011 -

แรงดันไฟเลี้ยง	
110	110 VAC
220	220 VAC
240	240 VAC