



DESCRIPTION

- AC current detection relays range from 0.5 to 5A
- Can be used with any motor if current exceeds 5A, it can be connected with current transformers.
- The setpoint of the current can be adjusted when the current exceeds or lower than setpoint. Relays are cut off.
- Start delay (S.D.) and delay (O.D) buttons.
- LED display for relay output and LED Show when the excess (Trip)

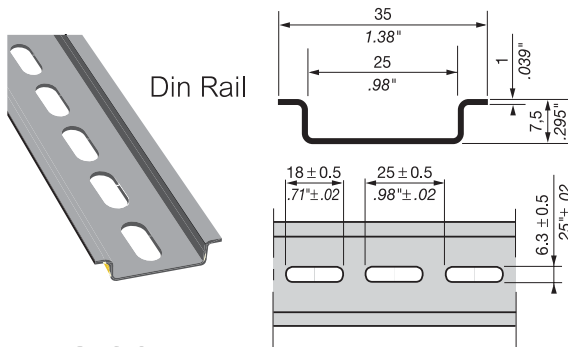
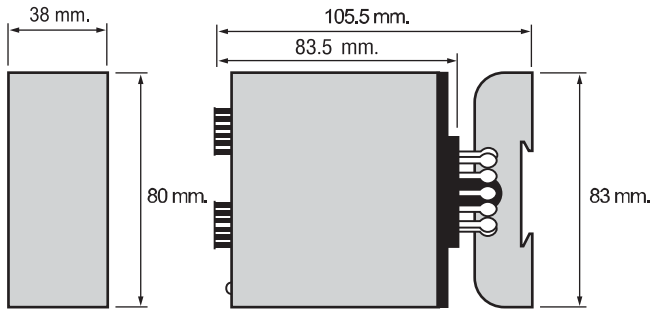
OPERATION

Current relay will receive input from CT 5A 3 units , 2 units or 1 unit . It depends on how many check phase. At startup, it will delay 5 - 70 seconds (S.D) to prevent circuit breakdown during startup due to higher starting current. If there are any motor malfunctions. This will make the current exceed the normal and will break the circuit within the time. 0.2 - 15 seconds (O.D) which can be adjusted to slow or fast as desired. It will be useful in case of over current in short time and do not want to break the circuit can be extended without stopping the motor.

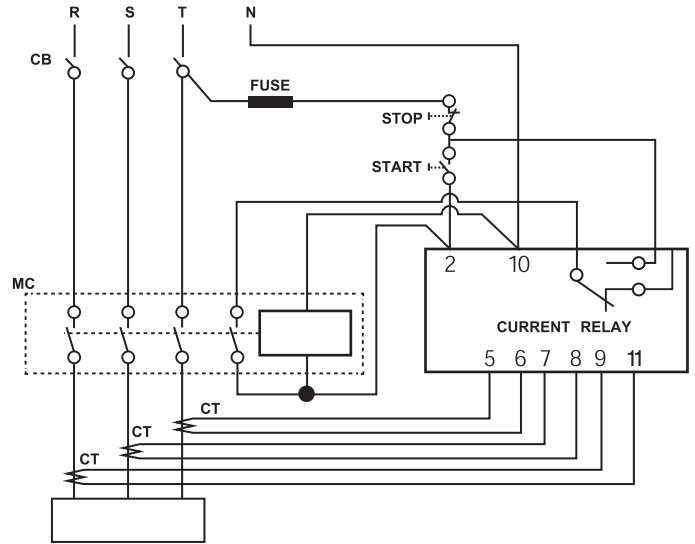
TECHNICAL SPECIFICATION

Model.	PM-001	PM-001-L	PM-001-U
Power Supply	110, 220, 380VAC ±10% 50/60 Hz		
Power Consumption	2.5 VA		
Display	LED Red (Relay OFF)		
	LED Green (Relay ON)		
Input	Current	0.5-5A.AC	
	Scale Adjustment	Current Scale 0 to 100%	
	Hysteresis	1%	
	Accuracy	±2VAC	
	Time Delay	0.2 to 15 Sec. (O.D.)	
	Time Delay Start	5 to 70 Sec. (S.D.)	
Output	Relay Output	1 Relay Output 10A 250VAC	
Ambient Operation	Temperature	-10°C to 60°C	
	Humidity	85 % RH Non-Condensing	
Ambient Storage	Temperature	-20 °C to 80°C	
	Humidity	85 % RH Non-Condensing	
Protection Degree	IP40		
Installation	DIN Rail Mounting		
Material	ABS-V0		
Size	38 x 80 x 83.5 mm.		
Weight	210g.		

DIMENSION

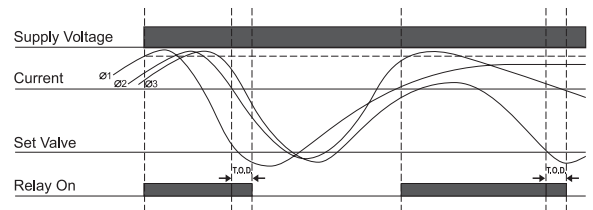


WIRING DIAGRAM

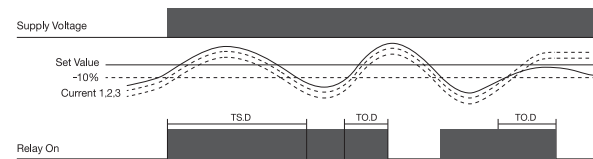


OPERATION GRAPH

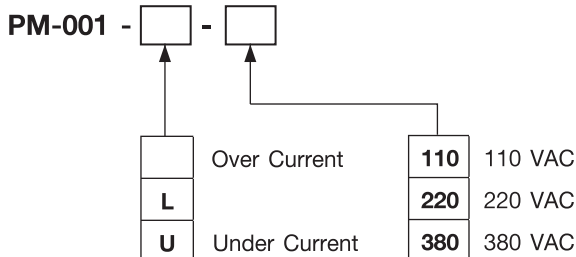
Under Current



Over Current



ORDERING CODE



WARNING

- Make sure the correct wiring connection before turning on electricity. Mis-wiring may cause malfunction of the unit and fire.
- Never modify the unit to prevent damage or incident such as malfunction and fire etc.

Pm บริษัท ไพรมัส จำกัด

119 ซ.สีม่วงอนุสรณ์ ถ.สุทธิสารวินิจฉัย แขวงดินแดง
เขตดินแดง กรุงเทพฯ 10400
โทร 0-2693-7005, 0-2277-8027 แฟกซ์ 0-2277-3565
E-mail : sales@primusthai.com