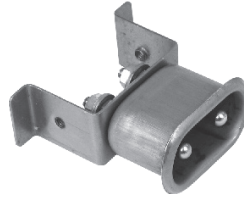




PL-1



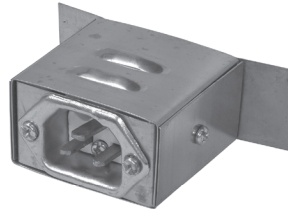
PL-2



PL-3



PL-4



PL-5



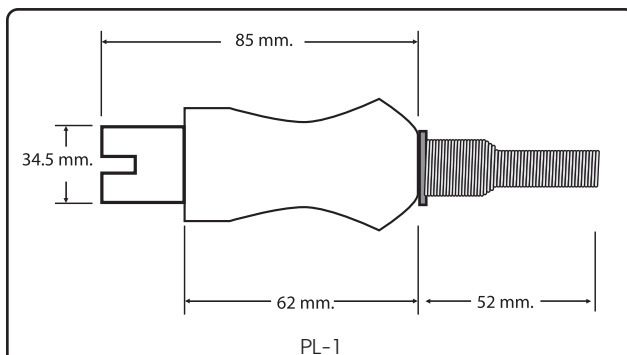
PL-6

DESCRIPTION

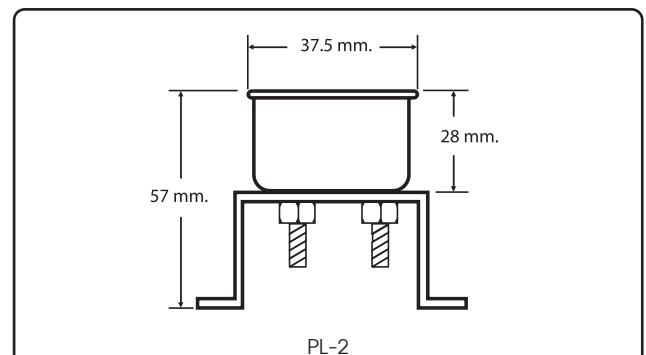
- Heater Plug use for connecting terminal of heaters.
- Female Plug (PL-1, PL-3, PL-4, PL-6) and Male plug (PL-2, PL-5).
- Can durable voltage maximum 600 VAC. Maximum current 35A (PL-1, PL-2, PL-3), and durable voltage maximum 220/380VAC. and durable current maximum 25A (PL-4, PL-5, PL-6).
- Temperature to operate 200°C (PL-1, PL-2, PL-3, PL-4, PL-6) and 300°C (PL-5).

Specific

Model	PL-1	PL-2	PL-3	PL-4	PL-5	PL-6	
Type	Female Plug	Male Plug	Female Plug (90°)	Female Plug	Male Plug	Female Plug (90°)	
Contact	2	2	2	3	3	3	
Voltage	600VAC	600VAC	600VAC	220VAC/380VAC	220VAC/380VAC	220VAC/380VAC	
Current	35A	35A	35A	25A	25A	25A	
Material	Body	Aluminium	Aluminium	Aluminium	Silicon	Stainless	Silicon
	Insulators	Bakelite	Bakelite	Bakelite	Silicon	Ceramic	Silicon
	Contact	Solid Brass	Solid Brass	Solid Brass	Solid Brass	Solid Brass	Solid Brass
Operating Temperature	200°C	200°C	200°C	200°C	300°C	200°C	
Weight	108.8g.	100g.	114.2g.	80g.	85g.	80g.	

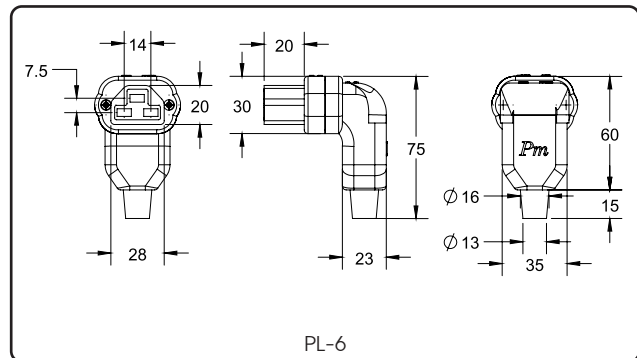
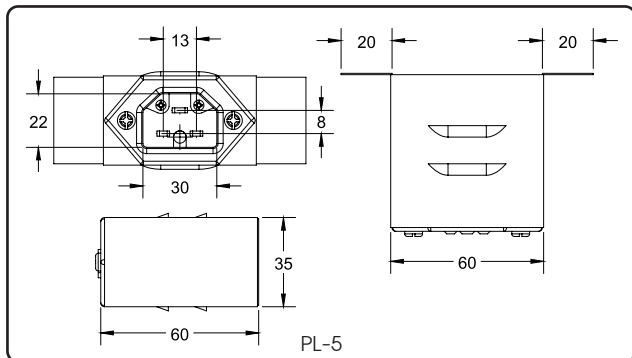
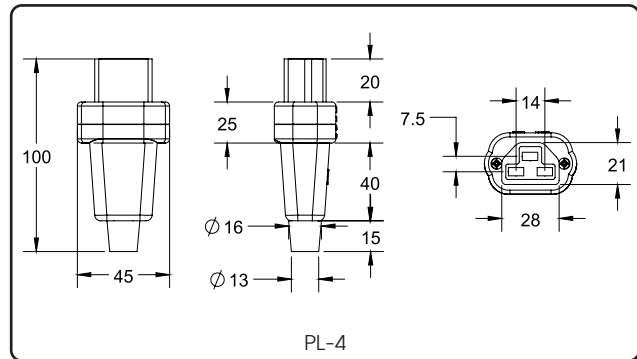
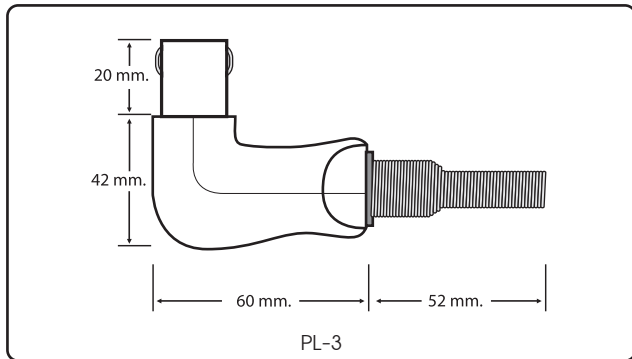


PL-1



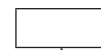
PL-2

ขนาดและมิติ [ต่อ]



การสั่งซื้อ

PL-



1	Female plug (Cast Aluminium Body)
2	Male plug (Cast Aluminium Body)
3	Female plug (90°C) (Cast Aluminium Body)
4	Female plug (Cast Silicon Body)
5	Male plug (Cast Stainless Body)
6	Female plug (90°C) (Case Silicon Body)