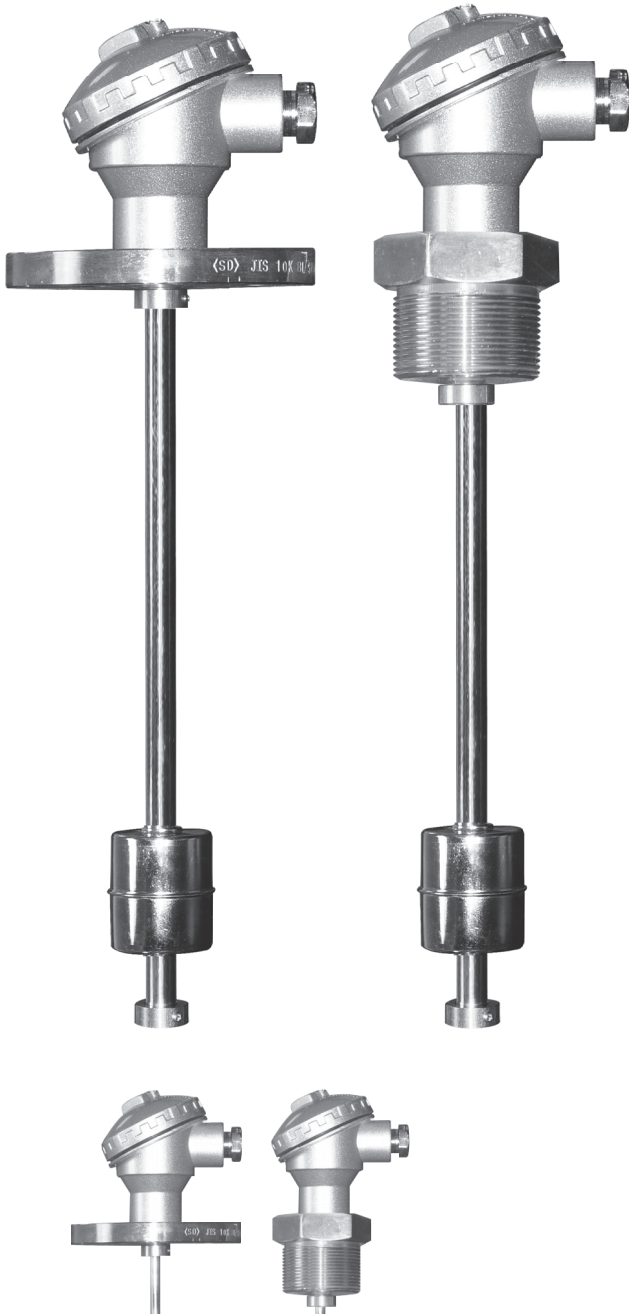




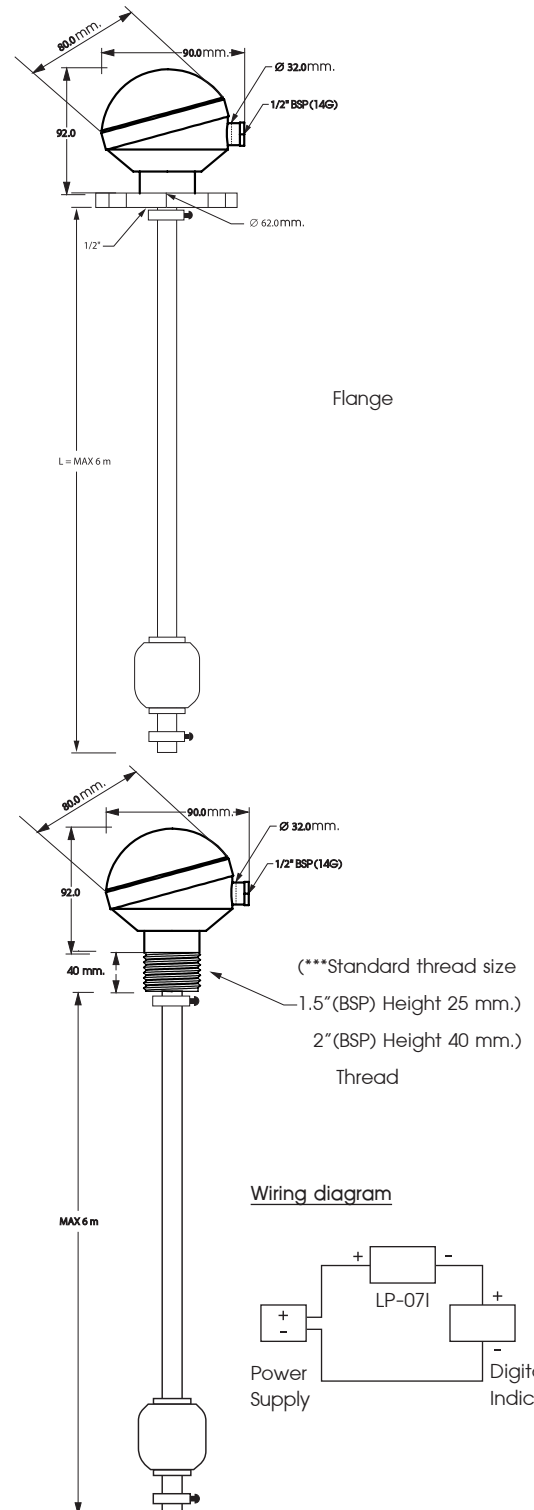
LP-07-I : LEVEL INDICATOR / SENSOR
4-20mA OUTPUT



DESCRIPTION

LP-07-I is a Level sensor that continuously detects liquid level. The resolution for measurement is 1 cm. (Resolution 1 cm.) By changing the resistance. (While the float is moving). Available in both selection thread and flange mounting. Because LP-07-I has a Resistance Transmitter that converts the resistance to 4-20 mA installed inside. So the output is 4-20 mA, which changes every 1 cm.

SIZE AND DIMENSION



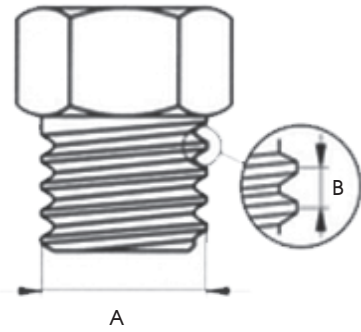
TECHNICAL DATA

Linearity	$\pm 0.05\%$
Current	10 mA
Material	SUS304, SUS316
Operation Temperature	(Max) 120 °C
Output	4-20 mA
Pressure	12 kg/cm ²

FLOAT SWITCH SELECTION

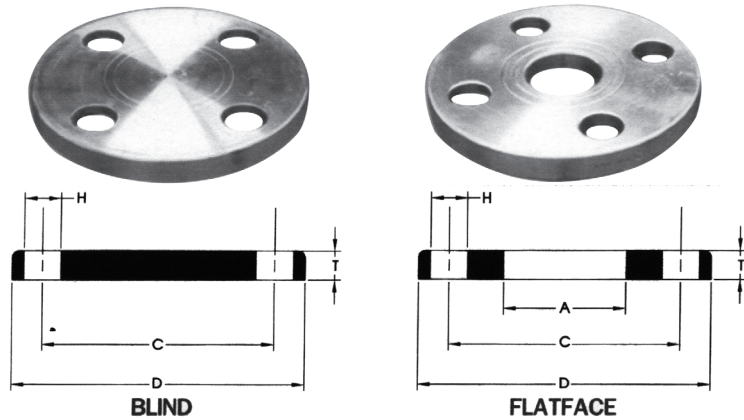
Type	D1	D2	D3	Float Switch Figures	
Size AxBxC (mm.)	44x51x15 mm.	52x51x15 mm.	74x74x19 mm.		
Shape	Cylinder	Sphere	Sphere		
Operation Maximum Temperature	120 °C	120 °C	120 °C		
Thread size (BSP)	1.5", 2", 3"	2", 3"	3"		
Flange size (STANDARD JIS 10K)	2", 3"	2", 3"	3"		

● Thread size (BSP)



Thread Size	A	B
	Thread bulk (mm.)	Thread gab (PitchX (G))
1.5"	44.8-47.8 mm.	11G
2"	59.3-59.6 mm.	11G
3"	84.9-87.8 mm.	11G

● Flange size JIS 10K



Dimension (Unit : mm)

Nominal Pipe Size	Inside Dia.	Outside Dia.	Bolt Circle	Thickness	Drilling		Weight (Kg)		
					H	N	Flat Face	Blind	
Inch	mm	A	D	C	T				
2	50	61.5	155.0	120	16	19	4	1.90	2.30
3	80	90.5	185	150	18	19	8	2.65	3.60

ORDERING CODE

LP-07-I- - - -

Flange Installation	
2A	2" JIS 10K
3A	3" JIS 10K
Thread Installation	
1.5B	1.5" BSP
2B	2" BSP

Float Switch Size	
D1	Cylinder 44x51x15 mm.
D2	Sphere 52x51x15 mm.
D3	Sphere 74x74x19 mm.

Tube Length (L) (mm.)

Material

Can specify the axis length as needed
*** Standard 6000 mm.

Material	
NONE	SUS 304
A	SUS 316

*** Big head only