

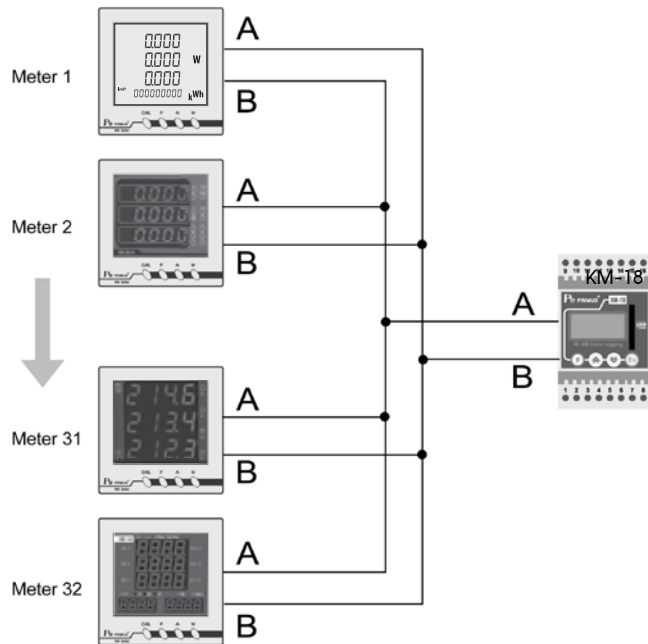
DESCRIPTION

- KM-18 is a reader from the Meter, Indicator, Temperature Controller Via RS-485 MODBUS RTU to save data on SD Card
- Can connect to up to 32 devices
- SD Card stores data up to 16 GB
- LCD screen display Character
- Able to program the reading order from the device with Address
- Can specify the initial parameters and the number you want to read.
- Sampling time can be set to read data via RS-485 MODBUS RTU. Every hour, minute, second
- Can store data in the form of a Text File and can open files with Notepad, Microsoft Word, Microsoft Excel etc. Software to convert data read from SD Card displayed in graphs and Excel report (Meter device, Temperature Controller of Primus Company)
- Convenient, cost-effective, easy to install (DIN RAIL), no need to open stand-by computers are always available to store data.

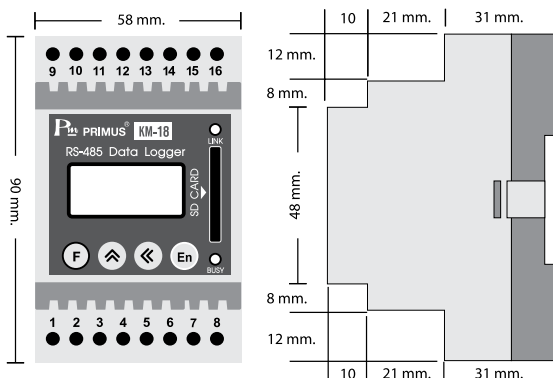
TECHNICAL SPECIFICATION

Power Supply	230 VAC ±15 % 50-60 Hz	
Power Consumption	2VA	
Display	Character LCD 8x2 With Backlight	
Memory capacity	SD Card Up to 16 GB	
Communication	Protocol	MODBUS RTU
	Baud Rate	1200, 2400, 4800, 9600, 19200, 38400, 57600 bps
	Parity	None, Even, Odd
	Stop Bits	1, 2
	Data Bits	8 Bits
	Support Device Node	32 Meters
Ambient Operation	Temperature	-10 °C to 60 °C
	Humidity	85 % RH Non-Condensing
Ambient Storage	Temperature	-20 °C to 80 °C
	Humidity	85 % RH Non-Condensing
Protection Degree	Front Protection Rating	IP30
	Case Protection Rating	IP30
	Installation	DIN Rail Mounting
Material	ABS-V0	
Size (mm.)	58 x 90 x 62	
Weight	270 g.	

WIRING DIAGRAM



DIMENSION



ACCESSORIES

INSTALLATION



SD-CARD (Free 4 GB)

SOFTWARE

KM-18-SERIES FOR SUPPORT

KM-18			
Model	Name	Model	Name
CM-013	Digital Load Cell Indicator With Alarm	KM-01	1 Phase Volt-Amp Meter With RS-485
CMP-Series	Digital Preset Counter	KM-02	1 Phase Volt-Amp-Hertz Meter With RS-485
CMT-007A	Digital Counter	KM-03	1 Phase Volt-Amp-Watt TRUE RMS Meter With RS-485
HM-006	Wall-Mount Humidity & Temperature Transmitter	KM-05	Multifunction Energy Meter
TVM-94N	Digital AC/DC Volt Meter (True RMS)	KM-06	Power and Energy Meter
TCM-94N	Digital AC/DC Amp Meter (TRUE RMS)	KM-07	Multi Function Meter with RS-485
TFM-94	Digital Frequency Meters With Alarm	KM-08	Digital Amp Meter TRUE RMS with RS-485
TIM-Series	Digital Indicator	KM-09	Digital Volt-Amp-Hertz-PF Meter TRUE RMS with RS-485
TRM-006A	Digital Indicator	KM-10	3 Phase Digital Amp Meter TRUE RMS with RS-485
TMR-001	Programmable Signal Transmitter with RS-485	KM-11	3 Phase Digital Volt-Hertz Meter TRUE RMS with RS-485
TPM-001	Digital Temperature Controller Master Module	KM-12	3 Phase Digital Volt-Amp Meter TRUE RMS with RS-485
TPM-002	Digital Temperature Controller Slave Module	KM-13	3 Phase Digital Volt-Amp-Hertz Meter TRUE RMS with RS-485
REM-Series	Digital Temperature Controller	KM-14	3 Phase Digital Multi Meter TRUE RMS with RS-485
TTM-00X	Digital Temperature Controller	KM-15	3 Phase Digital Multi Meter TRUE RMS with RS-485
TTM-207	Digital Temperature Controller	KM-16	1 Phase Digital Multi Meter TRUE RMS with RS-485
TTM-209	Digital Temperature Controller	KM-17	3 Phase Digital Multi Meter TRUE RMS with RS-485
TTM-P4	Digital Temperature Programmable Controller	Multicube	Multicube Power Meter
TTM-P9	Digital Temperature Programmable Controller		
1000	Digital Configurable Controllers		
1001	Digital Configurable Controllers		
1101	Digital Configurable Controllers		
1600	Digital Controller		
1600V	Digital Controller		
1800	Digital Controller		
1800V	Digital Controller		
2300	Multizone Indicators-Alarm Units		
2308	Multizone Indicators-Alarm Units		
40B	Digital Indicator		
40T	Configurable Indicators-Alarm Units		
800	Digital Controller		
800V	Digital Controller		
RM-013	Pulse to RS-422/ RS-485		

KM-18-SERIES FOR SUPPORT

KM-18-1			
Model	Name	Model	Name
KM-07 V.1	Multifunction Meter Version 1	KM-09-E	1 Phase kWh-MD Meter TRUE RMS
KM-07 V.2	Multifunction Meter Version 2	KM-09-H	1 Phase Hertz Meter TRUE RMS
KM-07 THD	Multifunction Meter (THD)	KM-09-P	1 Phase PF Meter True RMS
Multicube	Multicube Power Meter	KM-09-U	1 Phase Volt-Amp-PF-Hertz-Meter True RMS
KM-06	Power and Energy Meter	KM-09-V	1 Phase Volt Meter True RMS
KM-06N	3 Phase Power and Energy Meter with RS-485	KM-09-W	1 Phase Watt-MD Meter TRUE RMS
KM-09-A	1 Phase Amp Meter True RMS		

ORDERING CODE

KM-18-

NONE	FOR METER INDICATOR, COUNTER, TEMPERATURE CONTROLLER WITH RS-485
1	FOR POWER METER WITH RS-485