

DESCRIPTION

- KM 12-V is a device that measures the voltage.
Can display three phase R, S, T simultaneously.
- 7-Segment display size 0.56 in 4 digits, 3 rows
- Can be connected with PT up to 40,000/ 100 or 110V
- High accuracy TRUE RMS measurement.
- LED status indicator and power unit.
- Can communicate with computer via RS - 485 port MODBUS RTU PROTOCOL
- Voltage range 8-500 VAC
- Frequency range 45-65 Hz
- Peak Hold to see the maximum Volt value in the system.

TECHNICAL SPECIFICATION

Power Supply		230 VAC ±15% 50-60 Hz 115 VAC ±15% 50-60 Hz
Power Consumption		2.5VA
Display		7-Segment, Size 0.56 Inch, 4 Digit, 3 Rows
Input	Voltage	3 Phase
	Phase Voltage (V _{Full})	8-500 VAC
	Potential Transformer Ratio	0.1-400.0
	Primary Voltage	40000 V
	Secondary Voltage	8-500V
	Accuracy Volt	±1.0% FS
	Accuracy Frequency	45-65 Hz ±0.1% FS
Communication	Protocol	MODBUS RTU
	Baud Rate	1200, 2400, 4800, 9600, 19200, 38400, 57600 bps
	Parity	None, Even, Odd
	Stop Bits	1, 2
	Data Bits	8 Bits
	Support Device Node	128
Ambient Operation	Temperature	-10 °C to 60 °C
	Humidity	85 % RH Non-Condensing
Ambient Storage	Temperature	-20 °C to 80 °C
	Humidity	85 % RH Non-Condensing
Protection Degree	Front Protection Rating	IP52
	Case Protection Rating	IP30
Installation		Panel Mounting
Material		ABS-V0
Size		96 x 96 x 76.6 mm.
Weight		465 g.

OPERATION

Display is 4 Pages. It shows the phase voltage, Line Voltage, Hz which current measured in 3 phases at the same time and Peak Volt Avg. The Peak Volt calculates the average of 15 minutes by pressing the up arrow. Show current voltage and press the down arrow to display Peak Volt Avg. On Peak Volt display, the Peak LED will flash while displaying.

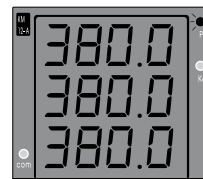
For Com LED (Communication) Used in Models with Option and Com LED (communication) will flash every time there is communication

Display Volt Phase-Neutral (Key \wedge)



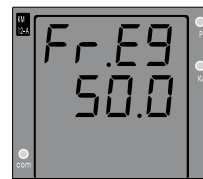
Display Volt Phase-Neutral 1,2,3

Display Volt Line to Line (Key \wedge)



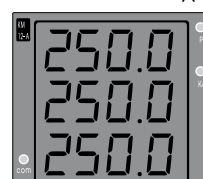
Display Volt Line to Line
Phase1 to Phase2 , Phase2 to Phase3
Phase3 to Phase1

Display Hz (Key \wedge)



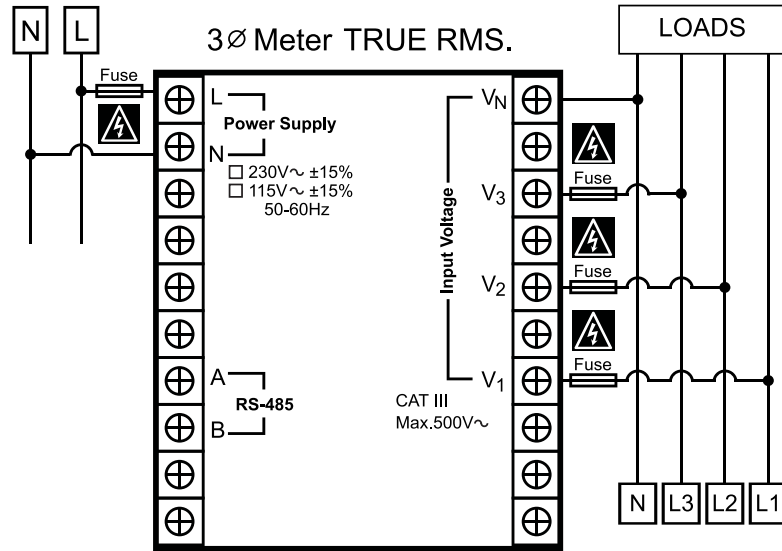
Display Hz

Display Peak (Key \wedge)



Display Peak Volt

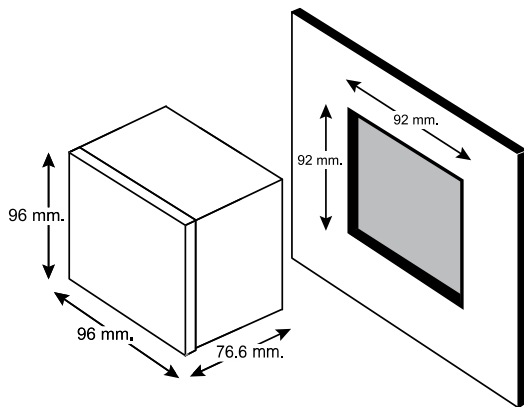
WIRING DIAGRAM



WARNING

- Make sure the correct wiring connection before turning on electricity. Mis-wiring may cause malfunction of the unit and fire.
- Never modify the unit to prevent damage or incident such as malfunction and fire etc.

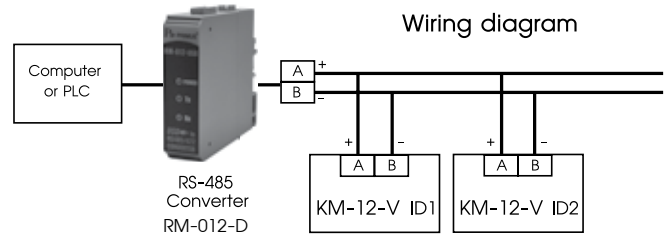
DIMENSION



SERIAL COMMUNICATIONS

KM-12-V can read parameter values measured in real time with the system BUS RS - 485 by PROTOCOL. Communication is MODBUS RTU Mode.

A set of commands that can be used with the Meter



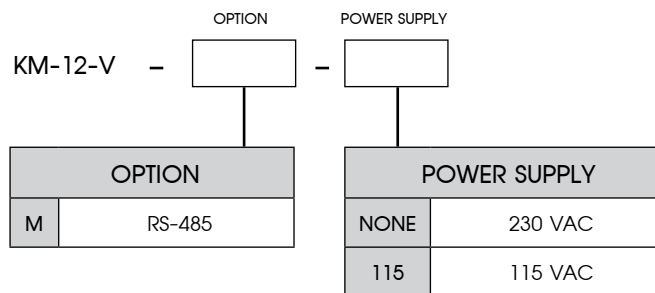
0x03 : Read Holding register

0x04 : Read Input register

0x06 : Preset Single register

0x10 : Preset multi register

ORDERING CODE



Example: KM-12-V-M means Volt Voltage and RS-485.