

TECHNICAL SPECIFICATION

Power Supply		110-240VAC 50-60Hz
Power Consumption		2.5VA
Display		4 LED, 7-Segment size 0.39 inch
Input	Volt	1 Phase
	Volt Range	110-240 VAC
	Accuracy Volt	±0.5% FS.
	Current	0.02-45 A
	Accuracy Current	±0.5% FS.
	kW	±0.5% FS.
	kWh	Class 1
Counter Input		PNP, NPN, Dry Contact Max 300 Hz
Output		3200 Impulse/kWh
LoRa Communication	Frequency	923-925 MHz
	Transmit Power	+20dBm (E.I.R.P.)
	Spreading factor	7 - 12
	Sensitivity	Up to -137dBm
Antenna		Internal Antenna
Ambient Operation	Temperature	-10 °C to 60 °C
	Humidity	85 % RH Non-Condensing
Ambient Storage	Temperature	-20 °C to 80 °C
	Humidity	85 % RH Non-Condensing
Protection Degree		IP30
Installation		Wall Mount
Material		ABS
Size		160 x 111 x 72± 0.5 mm.
Weigth		400 g.

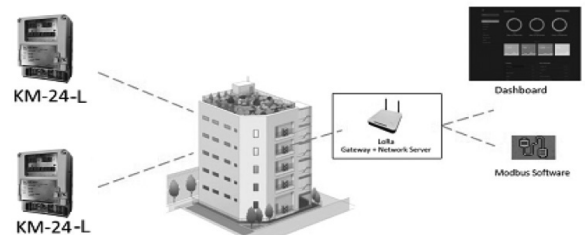
DESCRIPTION

- KM-24-L is the power meter 1 phase wireless LoRaWAN. It can transmit data to 500 m. for indoor area and 1000 m. for outdoor area.
- Able to install wireless meter over 1000 device per 1 Gateway system.
- Able to measure voltage (V), current (A), Power (kWh) and display water usage results in cubic meter (m³) from Pulse of Water Meter.
- Input for receiving Pulse from Water Meter to send the water usage data in cubic meter (m³).
- Measured electrical value with True RMS high precision.
- Voltage range 110-240 VAC.
- Current range 0.02 - 45 A.
- Display 7-Segment LED.
- Wireless communication by LoRaWAN.

OPERATION

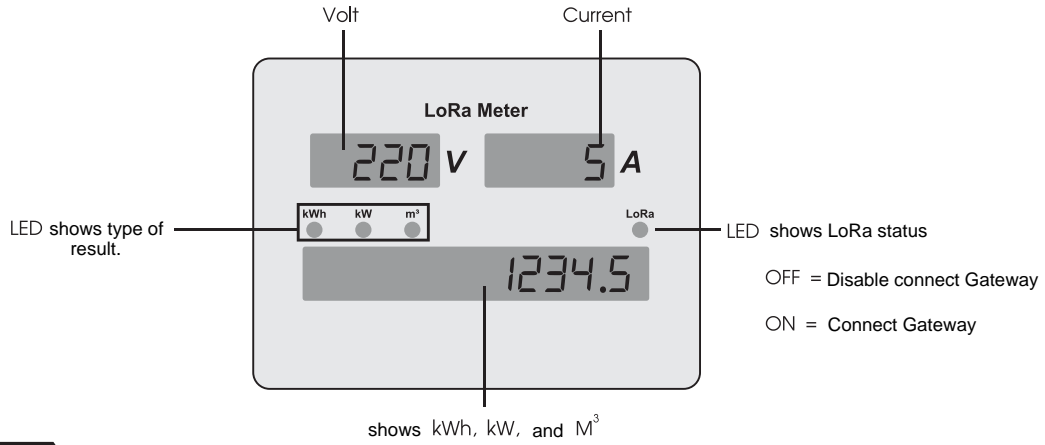
KM-24-L is Meter connect direct to electrical system 1 phase. It can use with current maximum 45 A. This device can measure and display value V, A, kWh and water usage volume in cubic meter (m³) unit by receiving Pulse from Water Meter.

It can send power usage data in kWh unit and water usage volume in cubic meter(m³) unit by wireless communication for distant 100-500 m. indoor and 1,000 m. to LoraWAN Gateway 4 times per hour every 15 minute to Computer display on Dashboard and has Prisoft support for saving data and analyze. It can connect to meter 1,000 devices per 1 Gateway system convince to connect online system all the time. Decrease labor, increase more accurate to note saving cost.

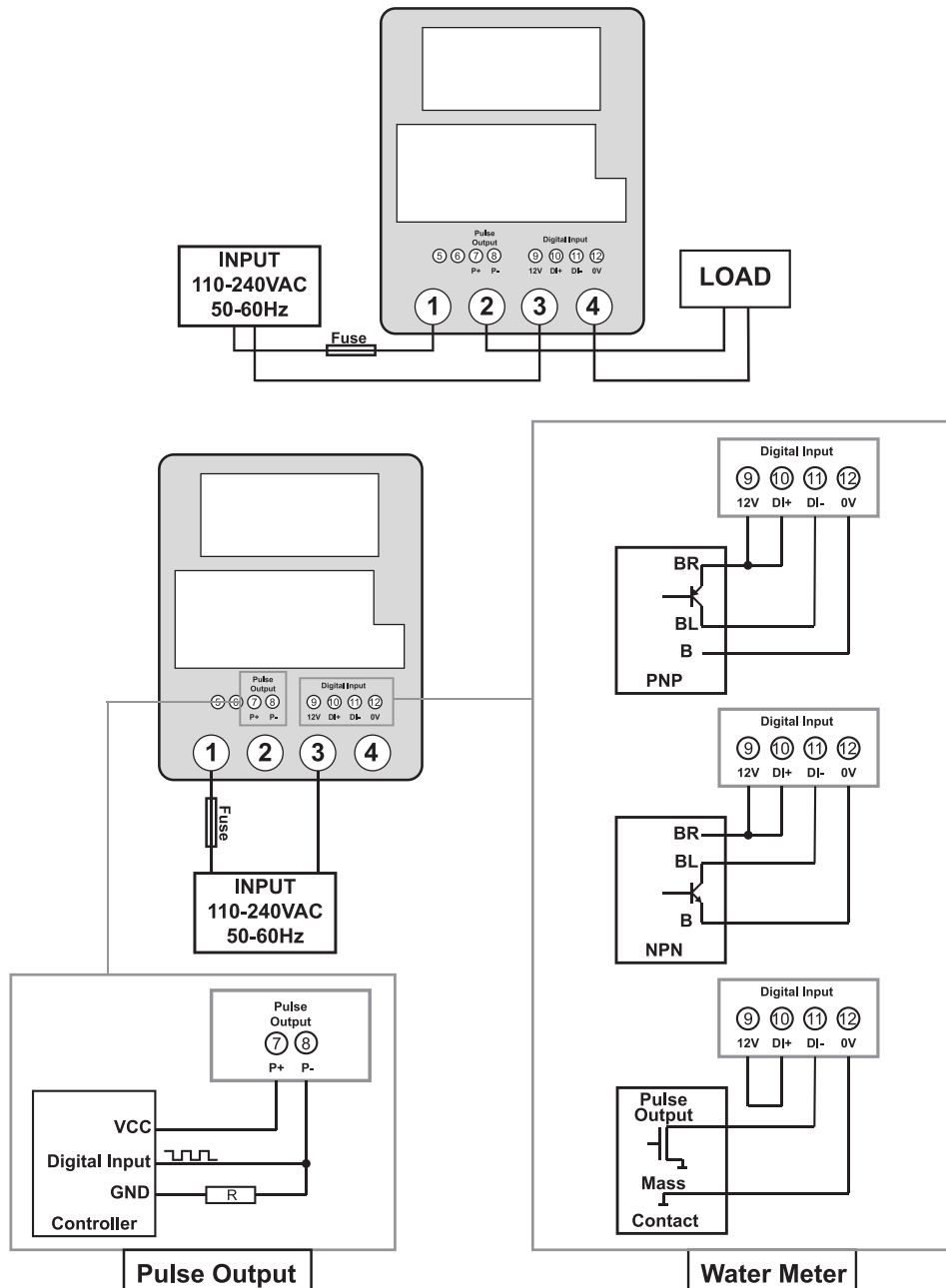


Application example. Install KM-24-L at Condominium measure electrical energy then send to gateway and display via Dashboard for convince to check power or water usage no need to look at meter.

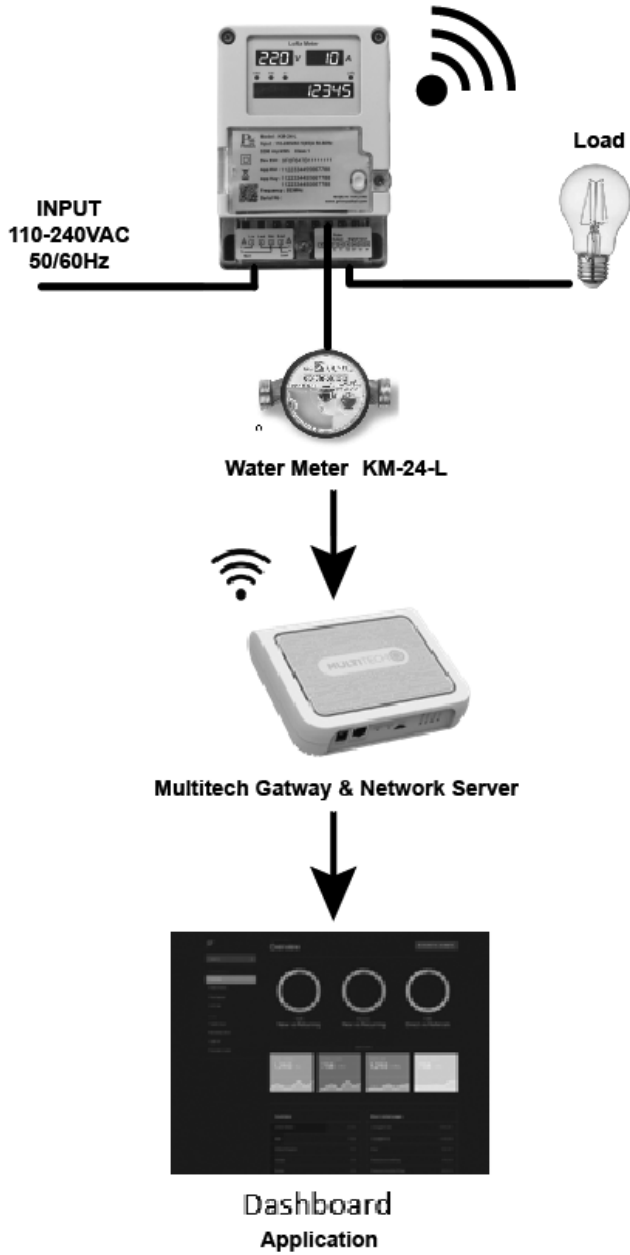
DISPLAY



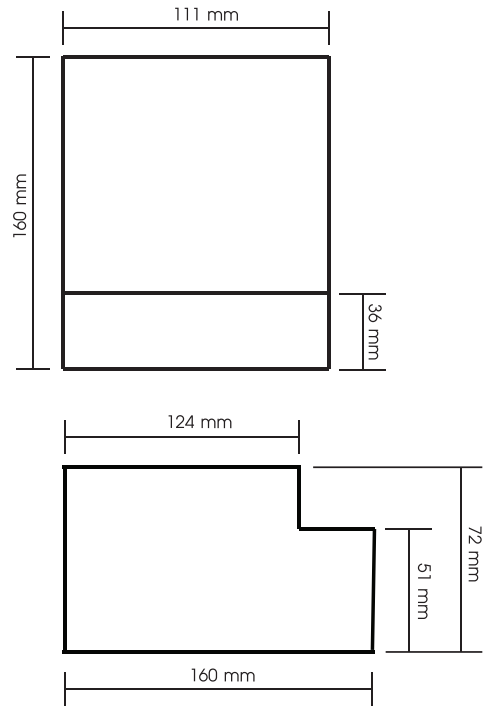
WIRING DIAGRAM



DATA FLOW ARCHITECTURE



DIMENSION



ORDERING CODE

KM-24 - L